



## Wooden Garage 4m x 6m (13' x 20') 44mm

Product # AV038

- Heavy duty garage door
- Better resistance to rot & mould
- Reinforced roof construction
- Premium windows & doors
- Window and door seals included
- Storm braces included
- Secure locks & hinges
- Interchange the opposite walls!
- Moisture resistant door and windows
- Reliable floor bearers
- Hardware kit included
- Pure glass - no cheap plastic
- Direct from the factory
- Polite & Convenient delivery
- Made while protecting the forests

**£3,199.00**

~~£3,850.00~~ / You save £651.00

**The price includes:**

double glazing, delivery, offloading, hardware kit & VAT.

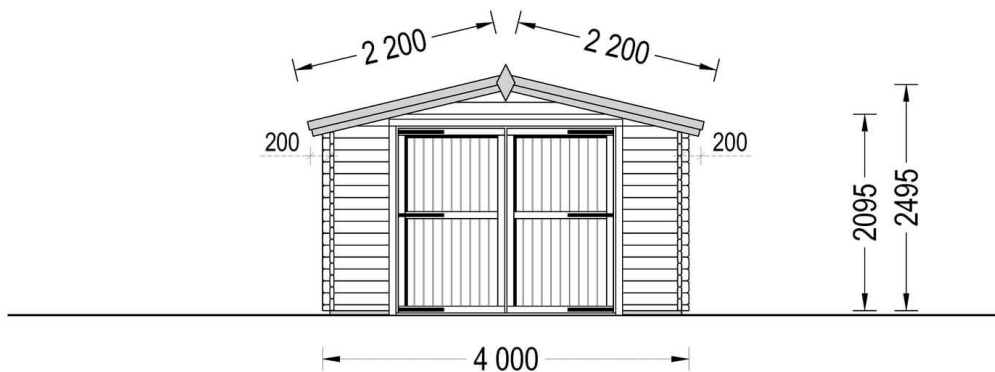
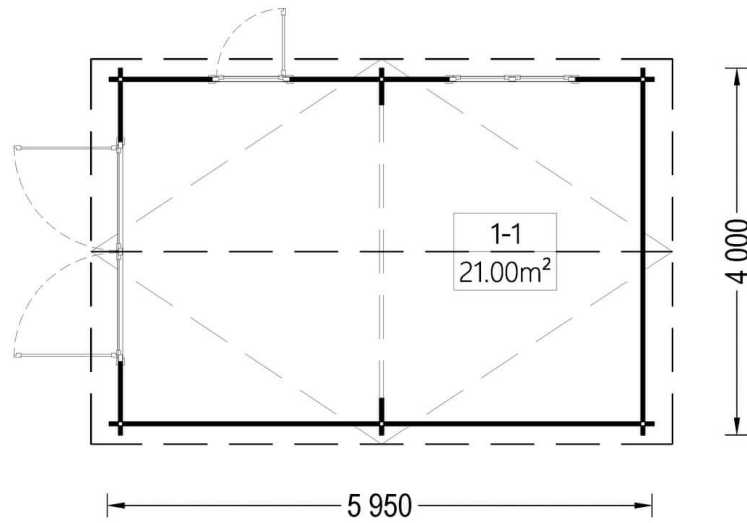
*Visit our website to make sure this is the current price:*

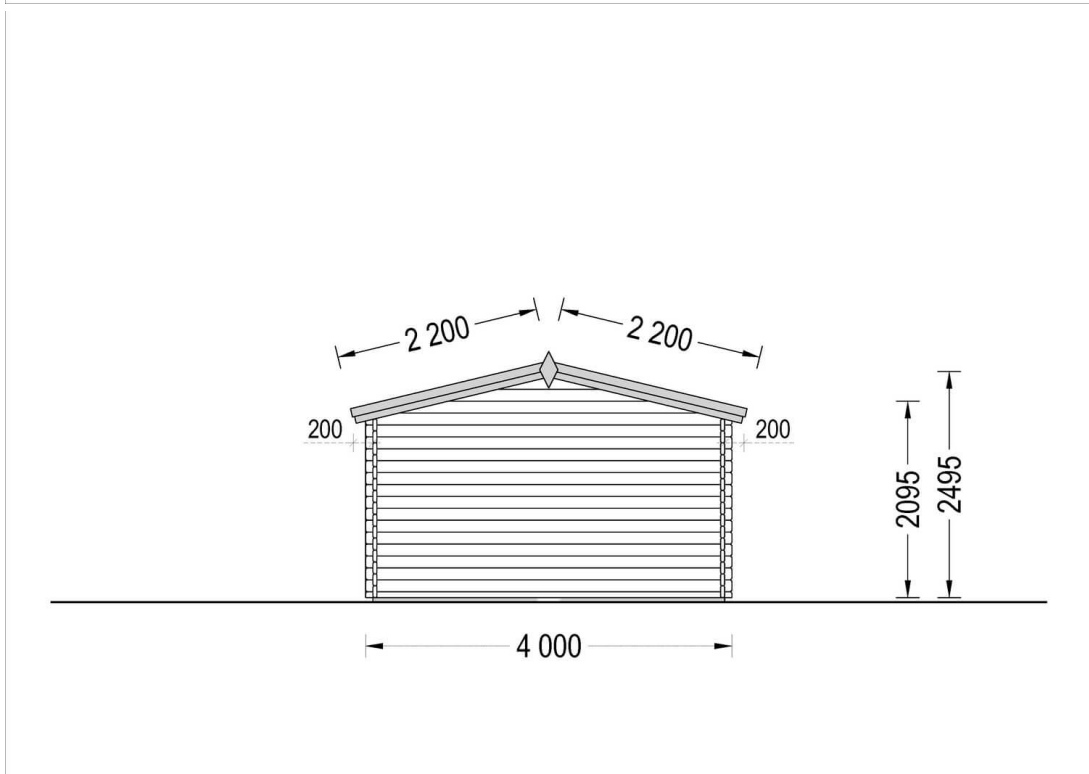
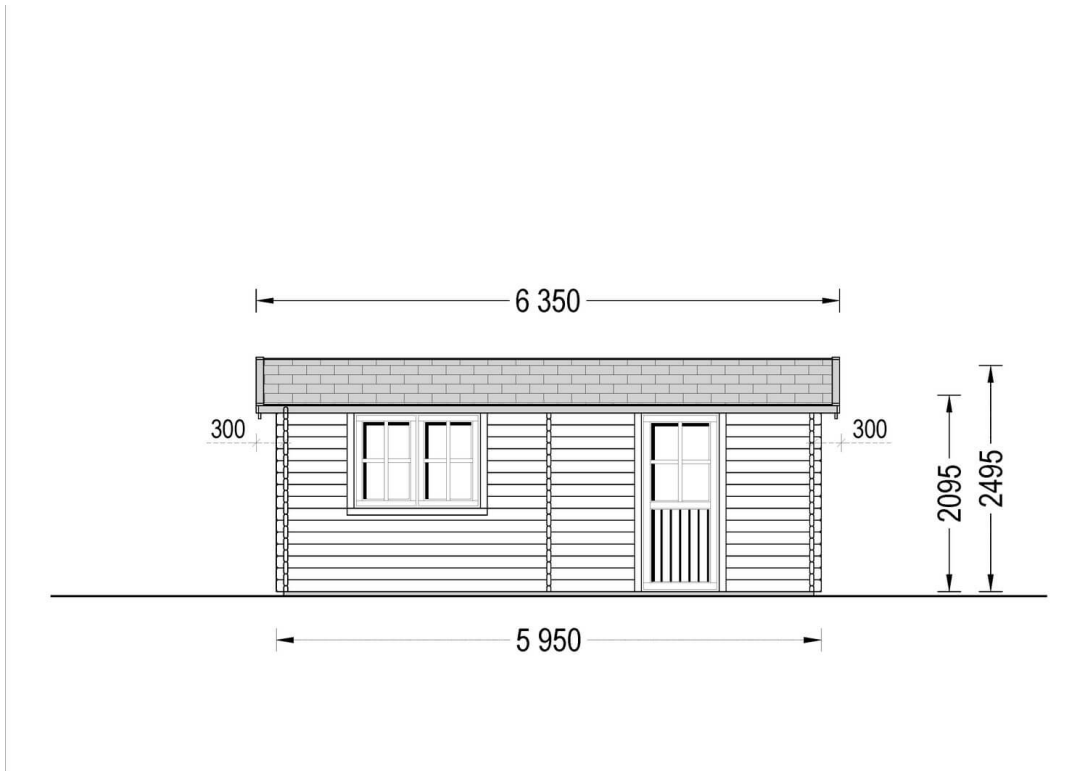
[www.quick-garden.co.uk/av038/](http://www.quick-garden.co.uk/av038/)

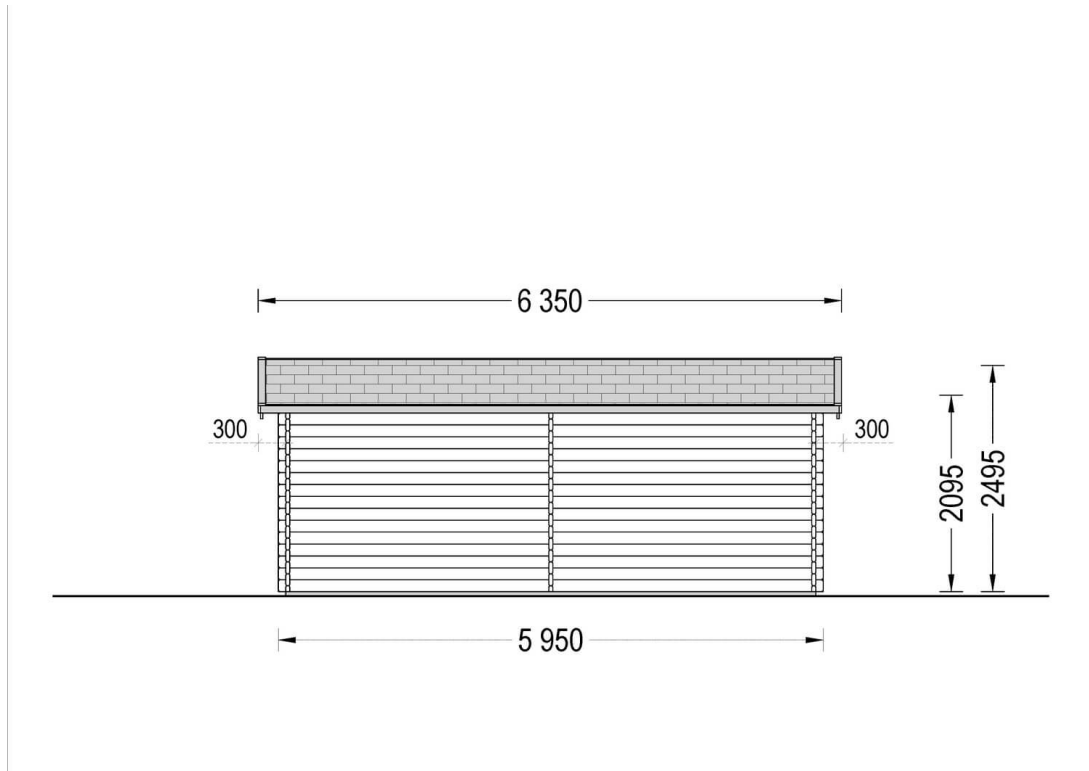


**Finance available. Contact us!**

## Specifications & detailed sketches







## Product specifications

Material	Natural certified Nordic pine/ Scandinavian spruce
External dimensions (width x depth)	400cm x 600cm (13'1" x 19'8")
Internal dimensions (width x depth)	370cm x 563cm (12'4" x 18'8")
Wall	44mm
Eaves height	209cm (6'10")
Ridge height	249cm (8'2")
Roof Material	19 - 20mm thick tongue & groove boards
Roof area	28m <sup>2</sup>
Roof overhang	30cm (11")
Number of rooms	1
Door (width x height)	85cm x 192cm (Side door) & 230cm x 200cm (Garage door)
Windows (width x height)	138cm x 101cm (1 unit)
Glazing	Double-glazed
Roof Covering Material	Optional
Anti Rot Warranty	10 Year
Minimum base required	384cm x 584cm

## Select product features according to your needs

Bitumen roofing shingles:	Green Shingles	+£385.00
	Red Shingles	+£385.00
	Black Shingles	+£385.00
Metal roofing	Black	+£919.00
	Green	+£919.00
	Red	+£919.00
PVC guttering (£289.00 payable on completion)	Available with installation service only	+£0.00
Installation service (£879.00 payable on completion)	Payable on completion	+£0.00
Up and Over garage doors	Up and Over garage doors	+£599.00

Call us **02070 994 301** Mon-Fri: 8am-5pm  
[clients@quick-garden.co.uk](mailto:clients@quick-garden.co.uk) • [www.quick-garden.co.uk](http://www.quick-garden.co.uk)

Wooden flowerbox	70x22x20 cm	+£29.00
Storage shed 2.7m x 1.6m (28mm)	2.7m x 1.6m (28mm)	From +£489.00
Roof insulation	with a 25mm insulation kit	+£254.00
Clear water-based primer for interior RP Wood® (supplied RP Wood® clear in tins)	treatment	+£139.00
Woodshed 2.2m x 1.44m (28mm)	2.2m x 1.44m (28mm)	From +£439.00
Turn-Key package deal (contact us for a quote)	A complete Turn-Key package deal (Prices on request)	+£0.00

## Customer Service

### Free delivery \*

Mainland England and Wales

4 - 8 working days for products in stock

4 - 8 weeks for products not in stock or custom-made products

Mainland Scotland

8 - 15 working days for products in stock

4 - 8 weeks for products not in stock or custom-made products

\* An extra charge for deliveries to mainland Scotland applies only for items which are priced under £3000. In such cases you will find these charges on each product page. For all items whose price is over £3000, delivery to mainland Scotland is free of charge.

---

### Payment

We accept card and bank payments.

To submit your order, you can either choose to pay a deposit of 20% of the total price or to pay the whole price in one go.

---

### Planning permission

Contact us for any advice you may need regarding basic planning permission or building regulation matters. We will always be happy to help you.

---

### 10 yrs. warranty

All garden buildings with a wall thickness of at least 34mm come with a 10-year anti-rot guarantee. Structures with 28mm wall thickness come with a corresponding 5-year anti-rot guarantee.