



Wooden Garage 4m x 6m (13' x 20') 44mm

Product # AV038

- Heavy duty garage door
- Better resistance to rot & mould
- Reinforced roof construction
- Premium windows & doors
- Window and door seals included
- Storm braces included
- Secure locks & hinges
- Interchange the opposite walls!
- Moisture resistant door and windows
- Reliable floor bearers
- Hardware kit included
- Pure glass - no cheap plastic
- Direct from the factory
- Polite & Convenient delivery
- Made while protecting the forests

£3,199.00

~~£3,850.00~~ / You save £651.00

The price includes:

double glazing, delivery, offloading, hardware kit & VAT.

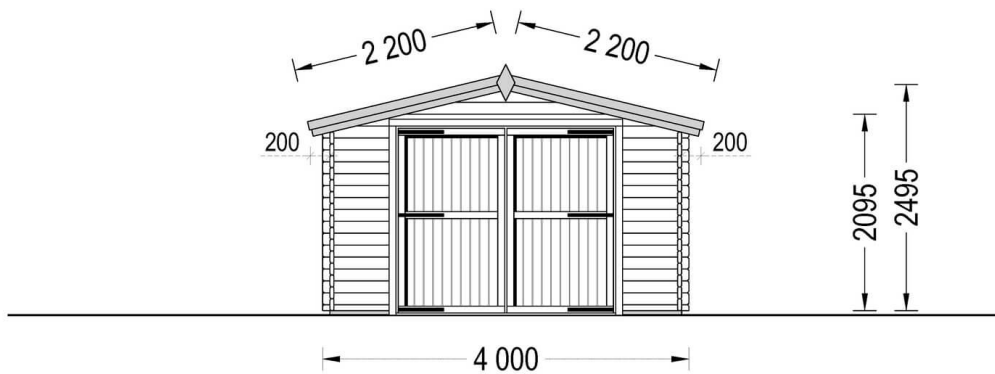
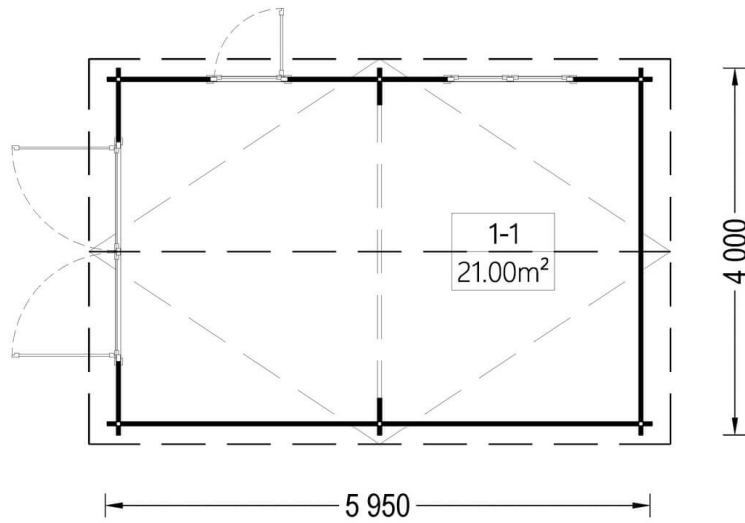
Visit our website to make sure this is the current price:

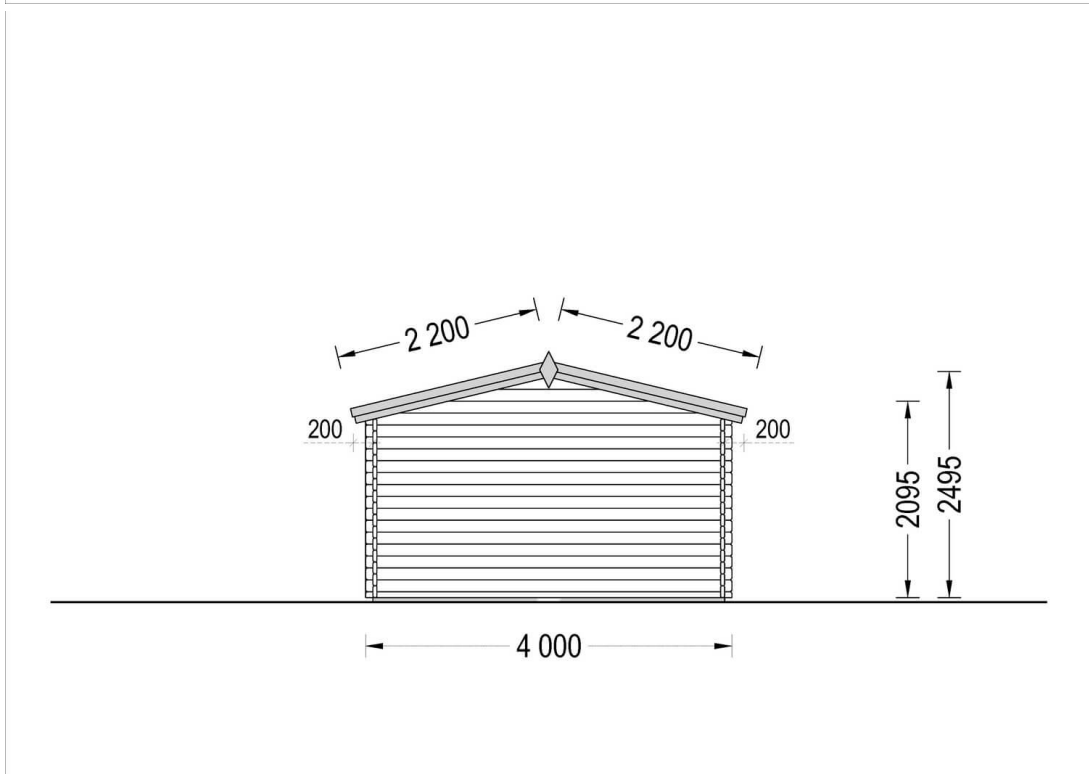
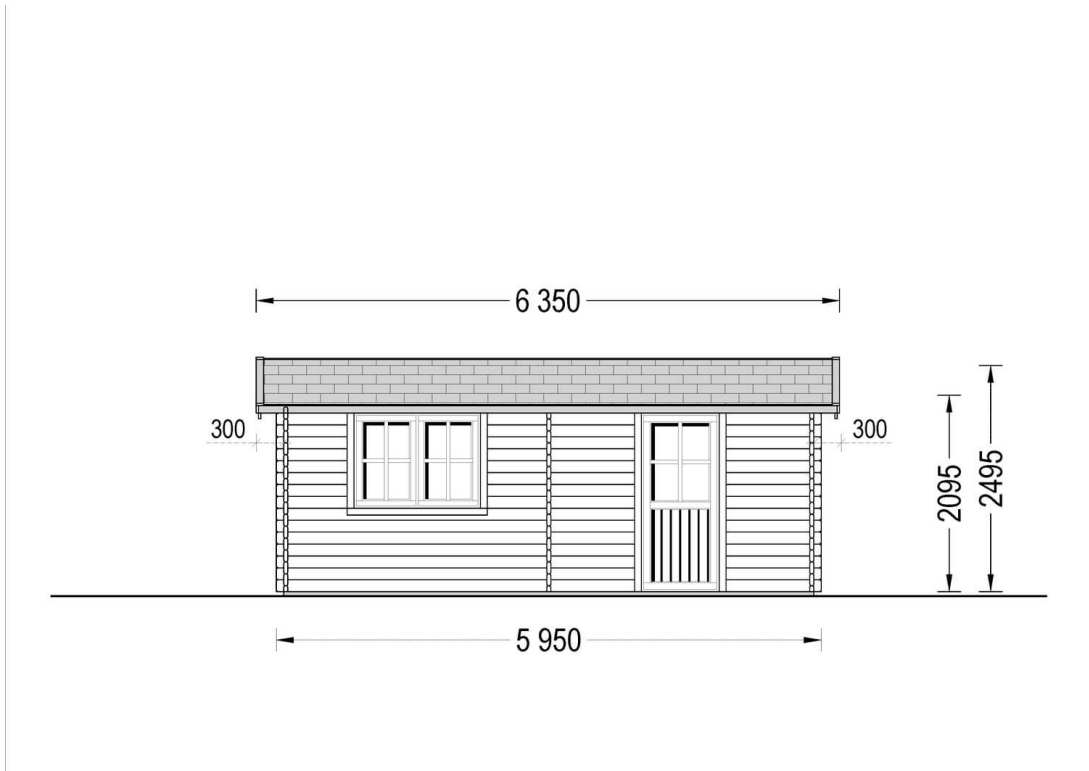
www.quick-garden.co.uk/av038/

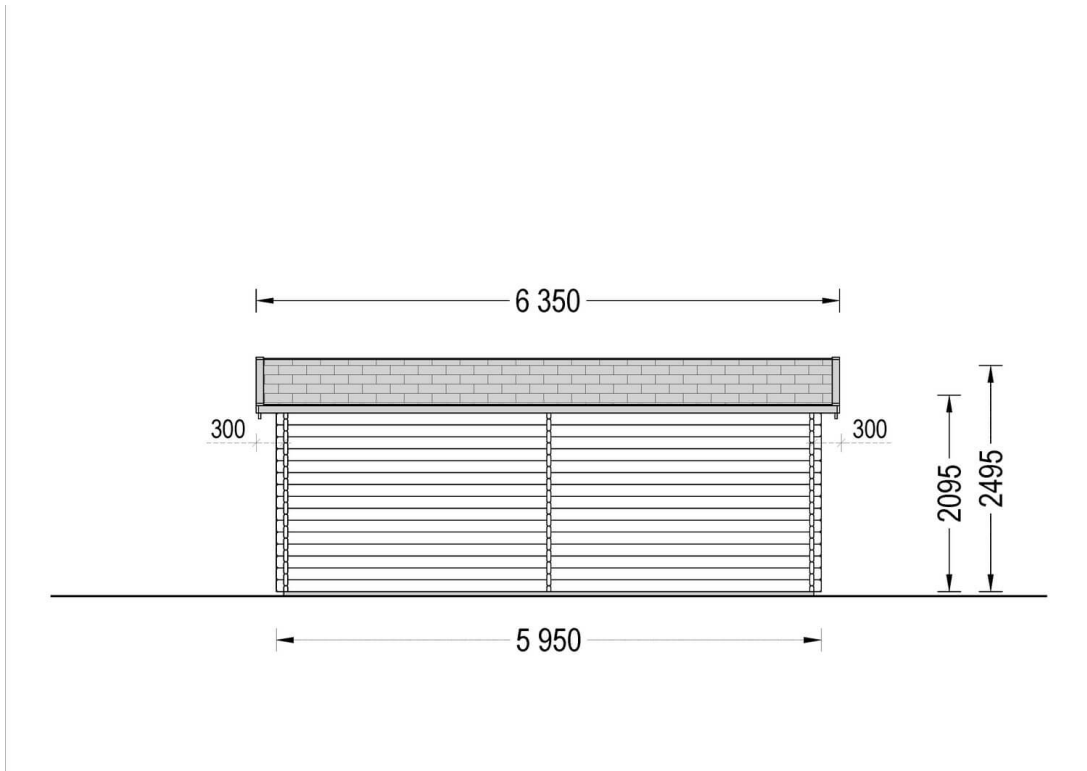


Finance available. Contact us!

Specifications & detailed sketches







Product specifications

Material	Natural certified Nordic pine/ Scandinavian spruce
External dimensions (width x depth)	400cm x 600cm (13'1" x 19'8")
Internal dimensions (width x depth)	370cm x 563cm (12'4" x 18'8")
Wall	44mm
Eaves height	209cm (6'10")
Ridge height	249cm (8'2")
Roof Material	19 - 20mm thick tongue & groove boards
Roof area	28m ²
Roof overhang	30cm (11")
Number of rooms	1
Door (width x height)	85cm x 192cm (Side door) & 230cm x 200cm (Garage door)
Windows (width x height)	138cm x 101cm (1 unit)
Glazing	Double-glazed
Roof Covering Material	Optional
Anti Rot Warranty	10 Year
Minimum base required	384cm x 584cm

Select product features according to your needs

Bitumen roofing shingles:	Green Shingles	+£385.00
	Red Shingles	+£385.00
	Black Shingles	+£385.00
Metal roofing	Black	+£919.00
	Green	+£919.00
	Red	+£919.00
PVC guttering (£289.00 payable on completion)	Available with installation service only	+£0.00
Installation service (£879.00 payable on completion)	Payable on completion	+£0.00
Up and Over garage doors	Up and Over garage doors	+£599.00

Call us **02070 994 301** Mon-Fri: 8am-5pm
clients@quick-garden.co.uk • www.quick-garden.co.uk

Wooden flowerbox	70x22x20 cm	+£29.00
Storage shed 2.7m x 1.6m (28mm)	2.7m x 1.6m (28mm)	From +£489.00
Roof insulation	with a 25mm insulation kit	+£254.00
Clear water-based primer for interior RP Wood® (supplied RP Wood® clear in tins)	treatment	+£139.00
Woodshed 2.2m x 1.44m (28mm)	2.2m x 1.44m (28mm)	From +£439.00
Turn-Key package deal (contact us for a quote)	A complete Turn-Key package deal (Prices on request)	+£0.00

Customer Service

Free delivery *

Mainland England and Wales

4 - 8 working days for products in stock

4 - 8 weeks for products not in stock or custom-made products

Mainland Scotland

8 - 15 working days for products in stock

4 - 8 weeks for products not in stock or custom-made products

* An extra charge for deliveries to mainland Scotland applies only for items which are priced under £3000. In such cases you will find these charges on each product page. For all items whose price is over £3000, delivery to mainland Scotland is free of charge.

Payment

We accept card and bank payments.

To submit your order, you can either choose to pay a deposit of 20% of the total price or to pay the whole price in one go.

Planning permission

Contact us for any advice you may need regarding basic planning permission or building regulation matters. We will always be happy to help you.

10 yrs. warranty

All garden buildings with a wall thickness of at least 34mm come with a 10-year anti-rot guarantee. Structures with 28mm wall thickness come with a corresponding 5-year anti-rot guarantee.