



## Insulated Garden Studio MARTA 5m x 4m (16x13 ft) Twin Skin

Product # AVP328-2

- Better resistance to rot & mould
- Reinforced roof construction
- Premium windows & doors
- Secure locks & hinges
- Window and door seals included
- Storm braces included
- Interchange the opposite walls!
- Moisture resistant door and windows
- Tongue & Groove floorboards included
- Reliable floor bearers
- Hardware kit included
- Pure glass - no cheap plastic
- Direct from the factory
- Polite & Convenient delivery
- Made while protecting the forests

**£6,797.00**

~~£7,354.00~~ / You save £557.00

**The price includes:**

double glazing, pressure treated floor bearers, flooring, storm braces, Insulation kit, delivery, offloading, hardware kit & VAT.

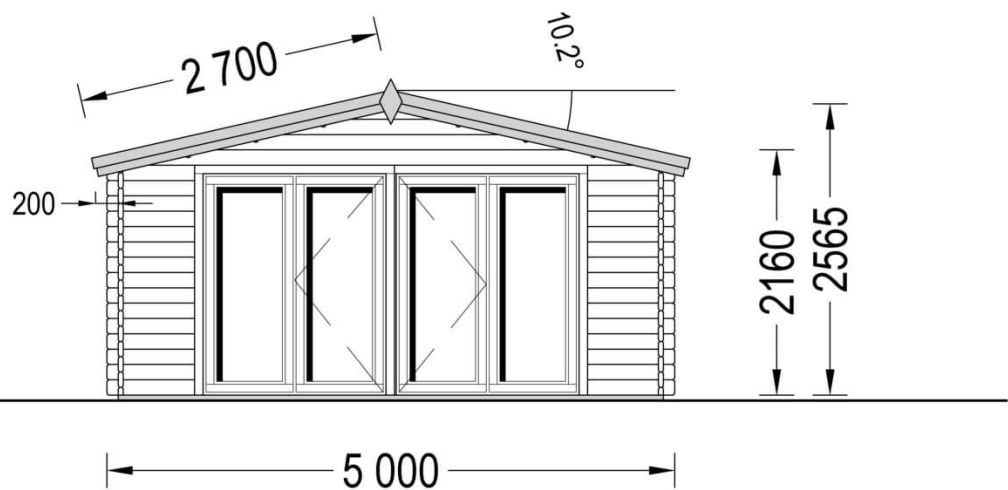
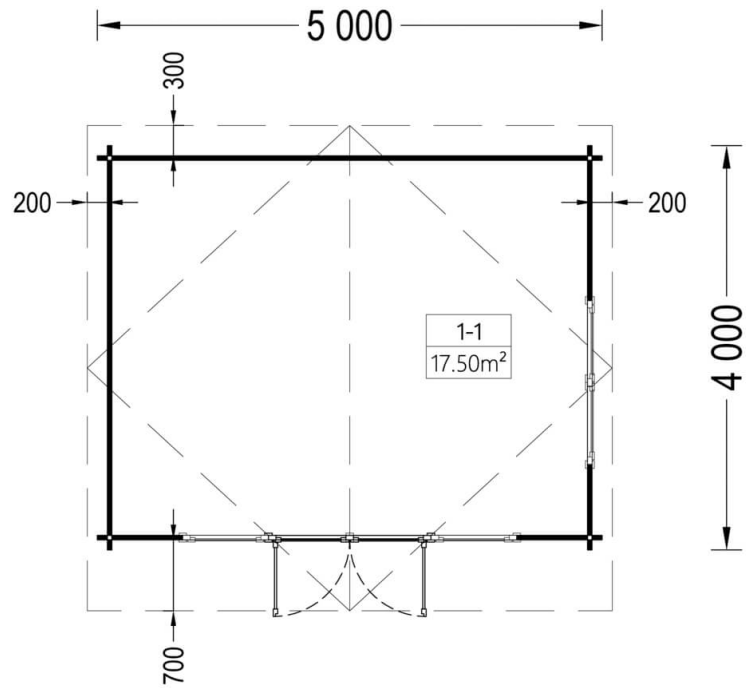
*Visit our website to make sure this is the current price:*

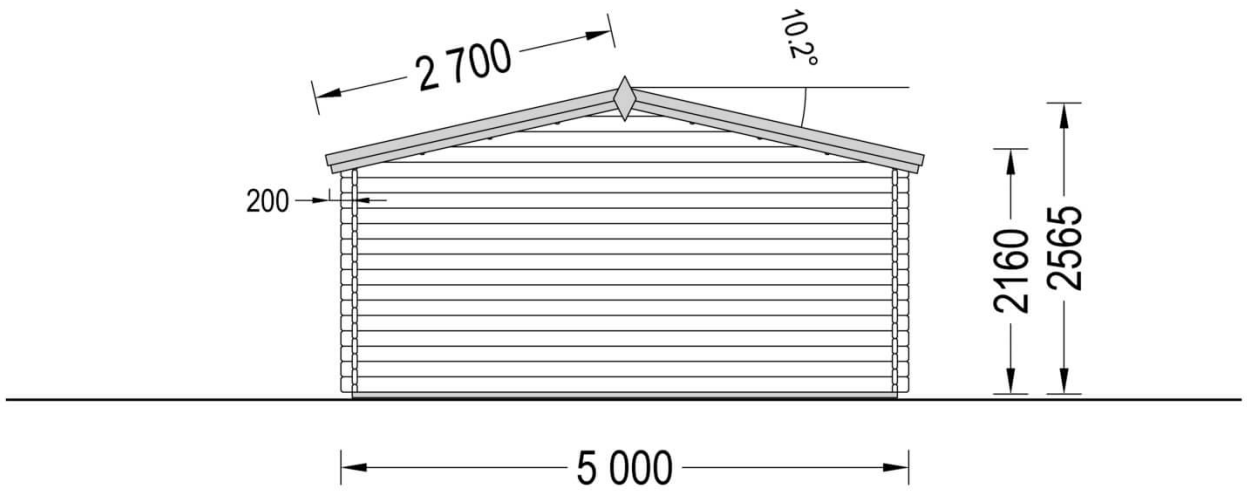
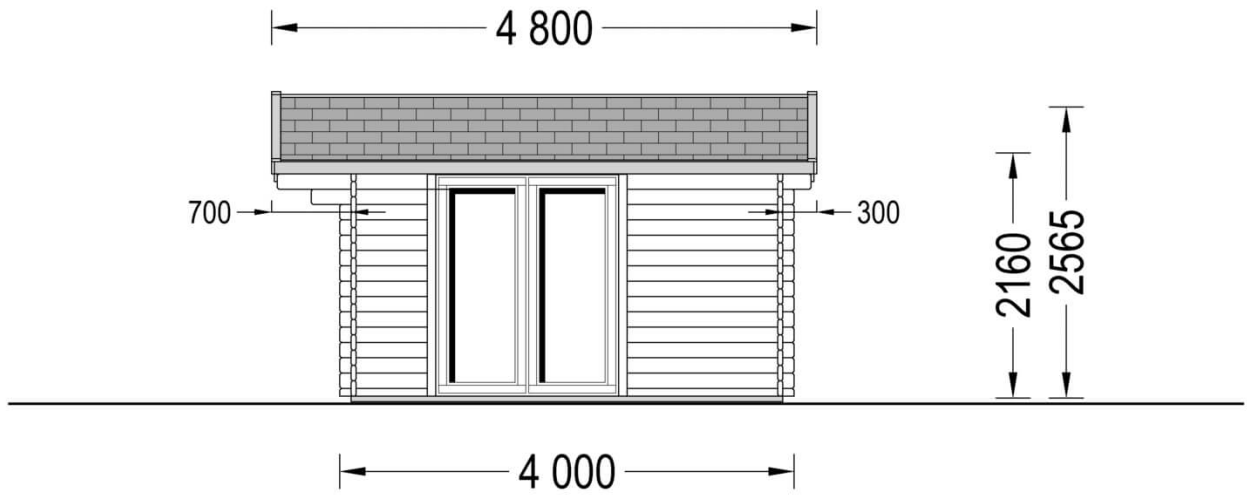
[www.quick-garden.co.uk/avp328-2/](http://www.quick-garden.co.uk/avp328-2/)

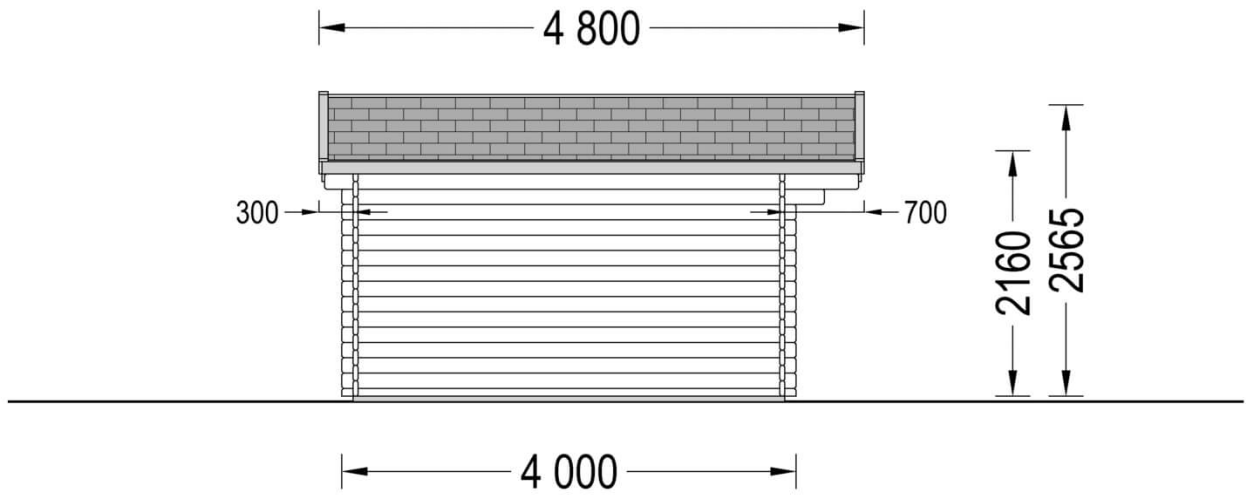


**Finance available. Contact us!**

## Specifications & detailed sketches







## Product specifications

Material	Slow grown spruce
External dimensions (width x depth)	500cm x 400cm (16'4" x 13'1")
Internal dimensions (width x depth)	470cm x 370cm
Wall	44 mm + 50 mm insulation + 44 mm
Eaves height	216cm
Ridge height	256.5cm
Roof Material	20 mm tongue & groove boards + 25 mm insulation
Floor Material	20 mm tongue & groove boards + 25 mm insulation
Roof overhang	70cm (2'4")
Number of rooms	1
Door (width x height)	161 cm x 192 cm (1 unit)
Windows (width x height)	85 cm x 192 cm (2 units); 161 cm x 192 cm (1 unit)
Glazing	Double-Glazed
Roof Covering Material	Optional
Anti Rot Warranty	10 Year
Minimum base required	484cm x 384cm

## Select product features according to your needs

Timber frame base (£1200.00 payable on completion)	Available with installation service only	+£0.00
Bitumen roofing shingles	Green Shingles	+£420.00
	Red Shingles	+£420.00
	Black Shingles	+£420.00
Metal roofing	Black	+£899.00
	Green	+£899.00
	Red	+£899.00
Clear water-based primer for interior RP Wood® (supplied in tins)	Available with installation service only	+£0.00

Installation service (£2069.00 payable on completion)	Payable on completion	+£0.00
Storage shed 2.7m x 1.6m (28mm)	2.7m x 1.6m (28mm)	From +£489.00
Wooden terrace 5m x 1.5m	5m x 1.5m	+£259.00
Clear treatment for interior RP Wood® (supplied in tins)	RP Wood® clear treatment	+£139.00

## Customer Service

### Free delivery \*

Mainland England and Wales

4 - 8 working days for products in stock

4 - 8 weeks for products not in stock or custom-made products

Mainland Scotland

8 - 15 working days for products in stock

4 - 8 weeks for products not in stock or custom-made products

\* An extra charge for deliveries to mainland Scotland applies only for items which are priced under £3000. In such cases you will find these charges on each product page. For all items whose price is over £3000, delivery to mainland Scotland is free of charge.

---

### Payment

We accept card and bank payments.

To submit your order, you can either choose to pay a deposit of 20% of the total price or to pay the whole price in one go.

---

### Planning permission

Contact us for any advice you may need regarding basic planning permission or building regulation matters. We will always be happy to help you.

---

### 10 yrs. warranty

All garden buildings with a wall thickness of at least 34mm come with a 10-year anti-rot guarantee. Structures with 28mm wall thickness come with a corresponding 5-year anti-rot guarantee.