



Garden Studio MARTA 5m x 4m (16x13 ft) 44 mm

Product # AVP328

- Better resistance to rot & mould
- Reinforced roof construction
- Premium windows & doors
- Secure locks & hinges
- Window and door seals included
- Storm braces included
- Interchange the opposite walls!
- Moisture resistant door and windows
- Tongue & Groove floorboards included
- Reliable floor bearers
- Hardware kit included
- Pure glass - no cheap plastic
- Direct from the factory
- Polite & Convenient delivery
- Made while protecting the forests

£3,398.00

~~£3,999.00~~ / You save £601.00

The price includes:

double glazing, pressure treated floor bearers, storm braces, flooring, delivery, offloading, hardware kit & VAT.

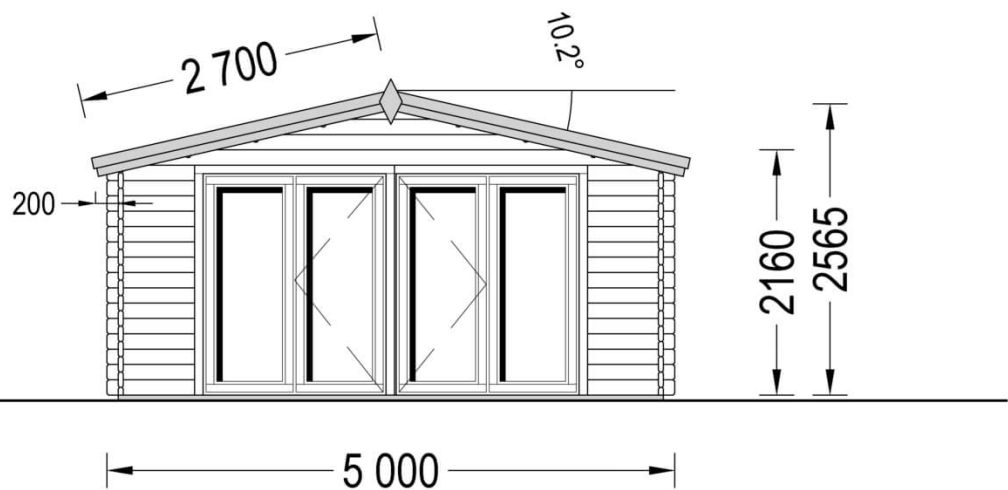
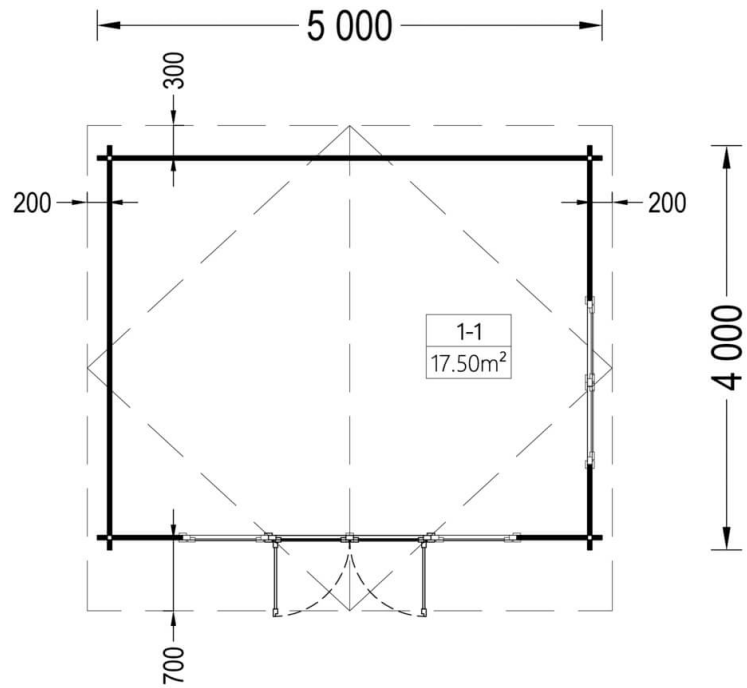
Visit our website to make sure this is the current price:

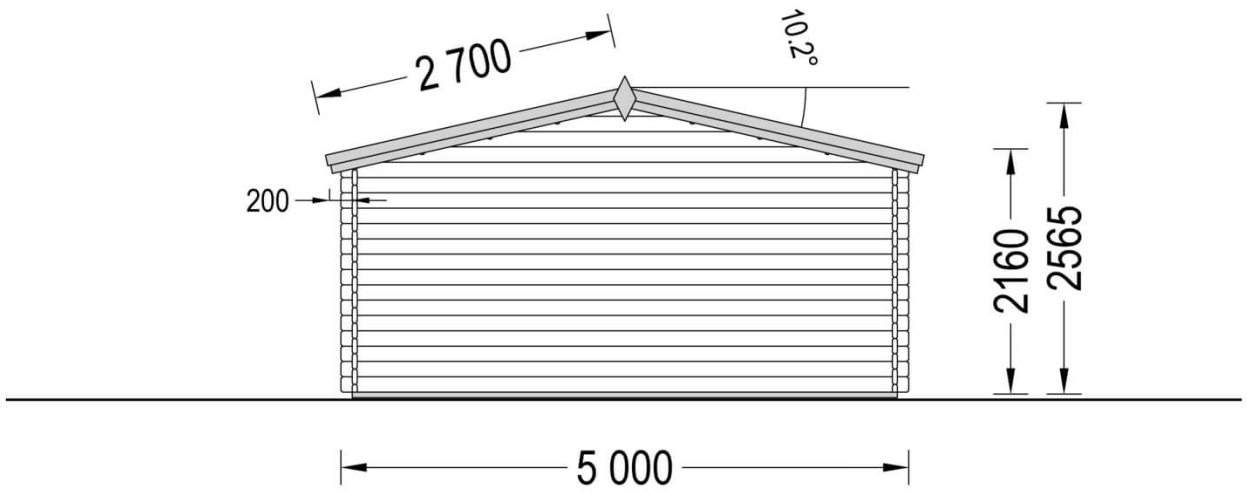
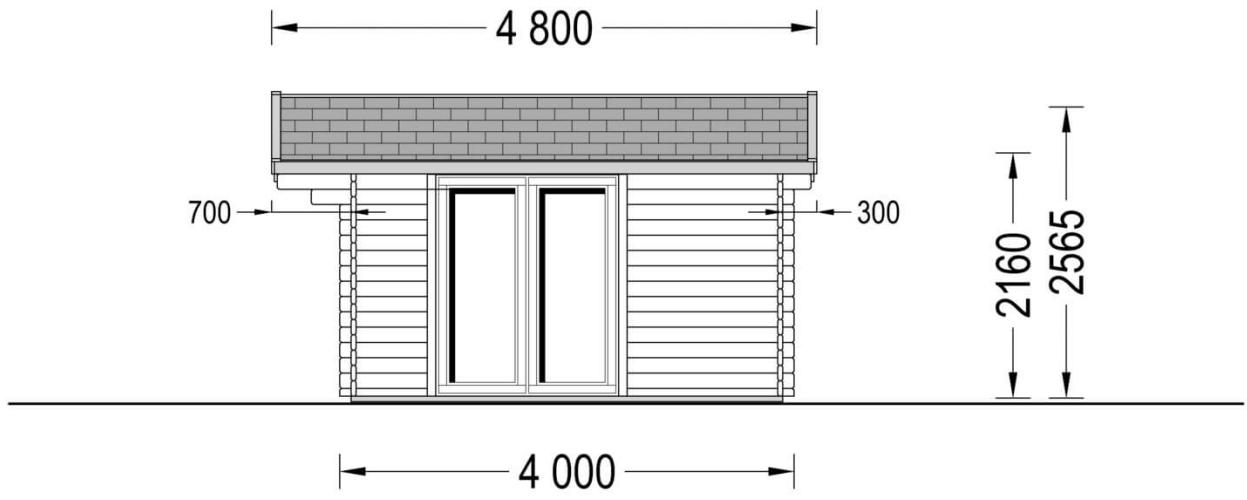
www.quick-garden.co.uk/avp328/

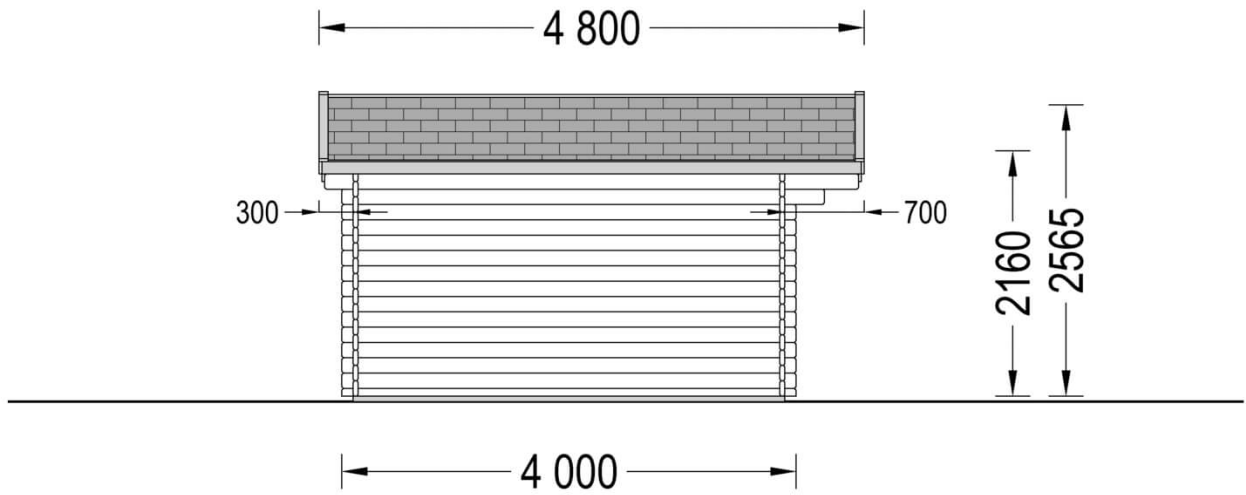


Finance available. Contact us!

Specifications & detailed sketches







Product specifications

Material	Slow grown spruce
External dimensions (width x depth)	500cm x 400cm (16'4" x 13'1")
Internal dimensions (width x depth)	470cm x 370cm
Wall	44 mm
Eaves height	216cm
Ridge height	256.5cm
Roof Material	19 - 20mm thick tongue & groove boards
Floor Material	19 - 20mm thick tongue & groove boards
Roof overhang	70cm (2'4")
Number of rooms	1
Door (width x height)	161 cm x 192 cm (1 unit)
Windows (width x height)	85 cm x 192 cm (2 units); 161 cm x 192 cm (1 unit)
Glazing	Double-Glazed
Roof Covering Material	Optional
Anti Rot Warranty	10 Year
Minimum base required	484cm x 384cm

Select product features according to your needs

Timber frame base (£1200.00 payable on completion)	Available with installation service only	+£0.00
Bitumen roofing shingles	Green Shingles	+£420.00
	Red Shingles	+£420.00
	Black Shingles	+£420.00
Metal roofing	Black	+£899.00
	Green	+£899.00
	Red	+£899.00
Clear water-based primer for interior RP Wood® (supplied in tins)	Available with installation service only	+£0.00

Installation service (£1079.00 payable on completion)	Payable on completion	+£0.00
Storage shed 2.7m x 1.6m (28mm)	2.7m x 1.6m (28mm)	From +£489.00
Wooden terrace 4m x 1.5m	4m x 1.5m	+£259.00
Clear treatment for interior RP Wood® (supplied in tins)	RP Wood® clear treatment	+£139.00
25mm Roof & Floor insulation	with a 25mm insulation kit	+£469.00

Customer Service

Free delivery *

Mainland England and Wales

4 - 8 working days for products in stock

4 - 8 weeks for products not in stock or custom-made products

Mainland Scotland

8 - 15 working days for products in stock

4 - 8 weeks for products not in stock or custom-made products

* An extra charge for deliveries to mainland Scotland applies only for items which are priced under £3000. In such cases you will find these charges on each product page. For all items whose price is over £3000, delivery to mainland Scotland is free of charge.

Payment

We accept card and bank payments.

To submit your order, you can either choose to pay a deposit of 20% of the total price or to pay the whole price in one go.

Planning permission

Contact us for any advice you may need regarding basic planning permission or building regulation matters. We will always be happy to help you.

10 yrs. warranty

All garden buildings with a wall thickness of at least 34mm come with a 10-year anti-rot guarantee. Structures with 28mm wall thickness come with a corresponding 5-year anti-rot guarantee.