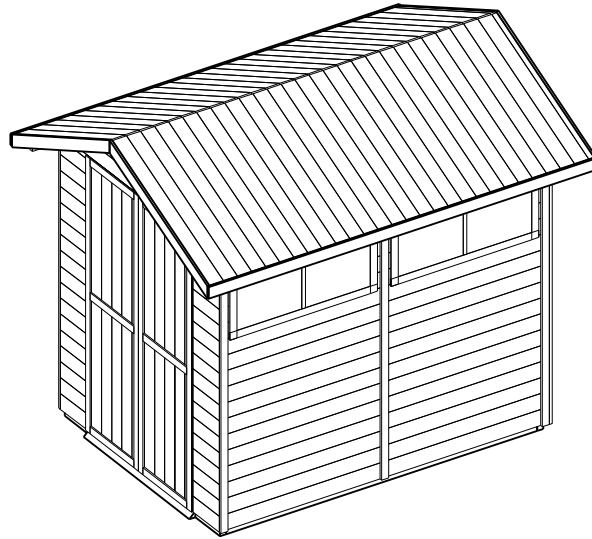
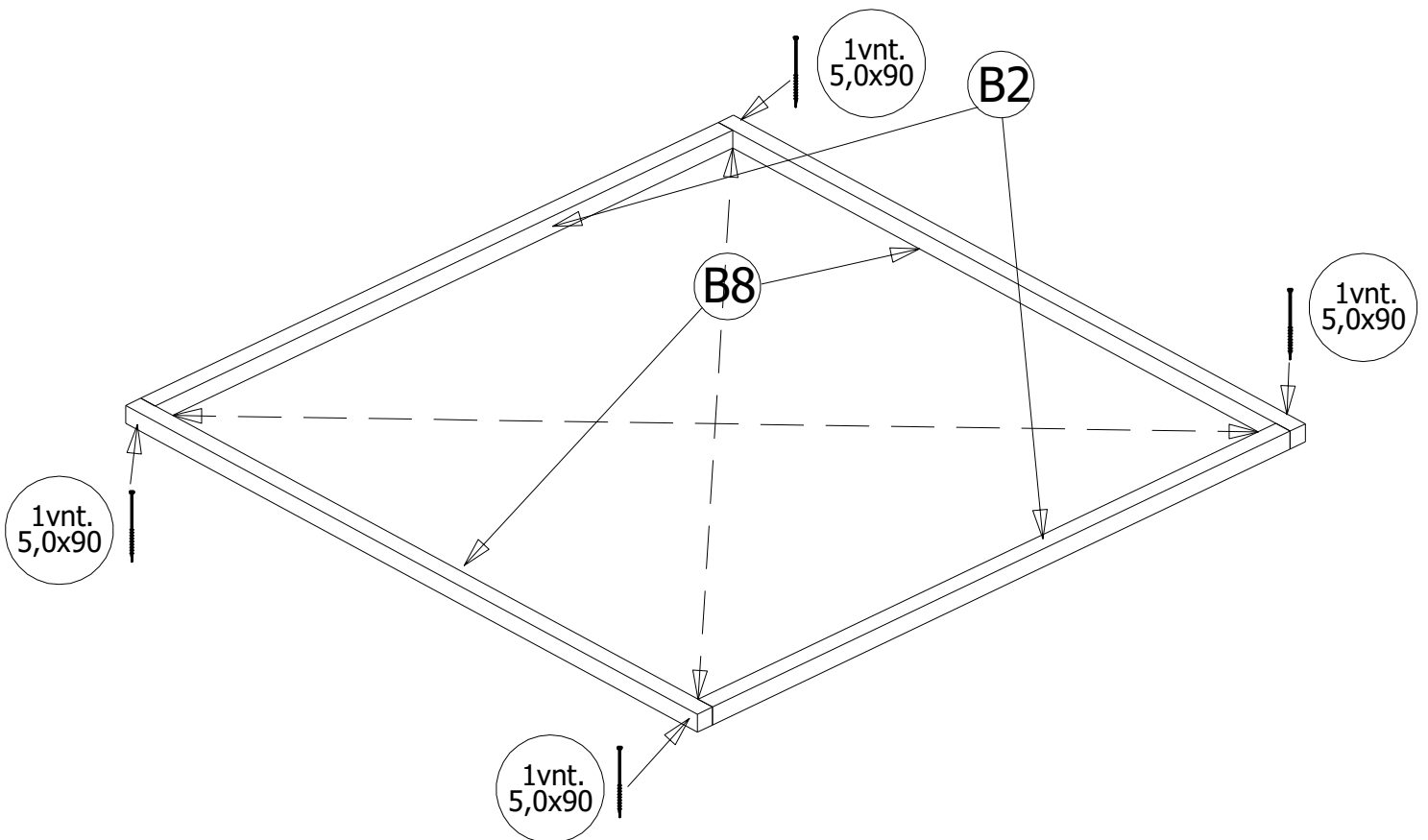


# Assembly instructions

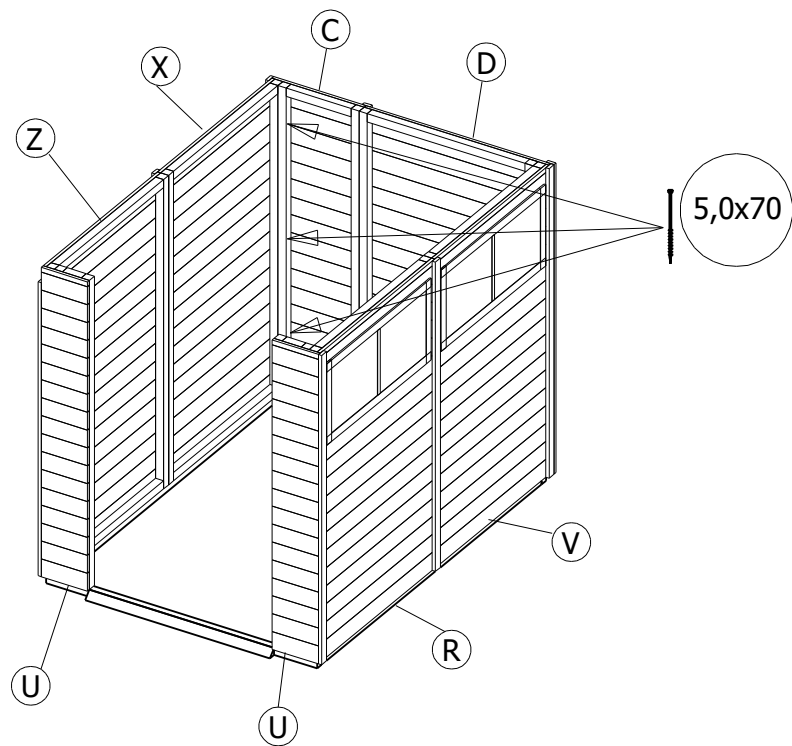
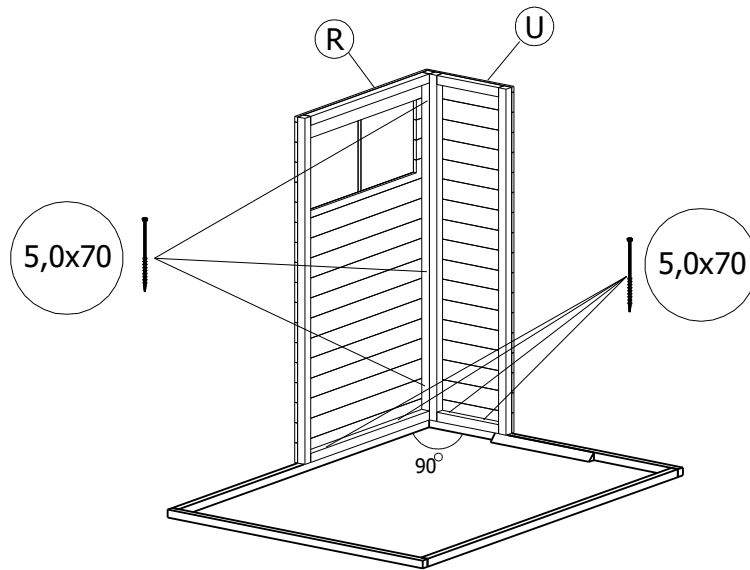
## "Zeta"



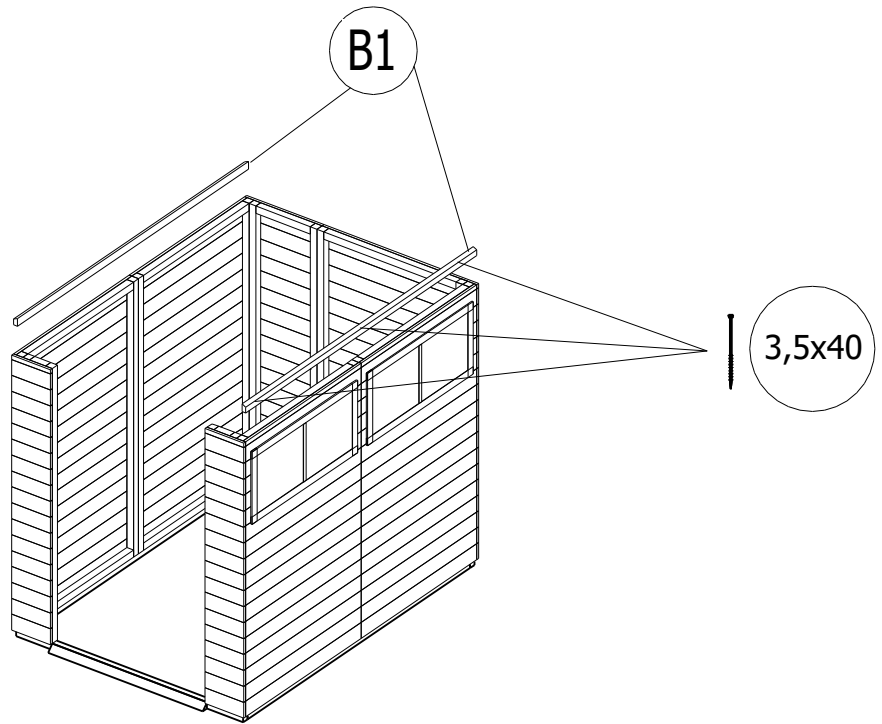
1st step  
Base  
43x43mm



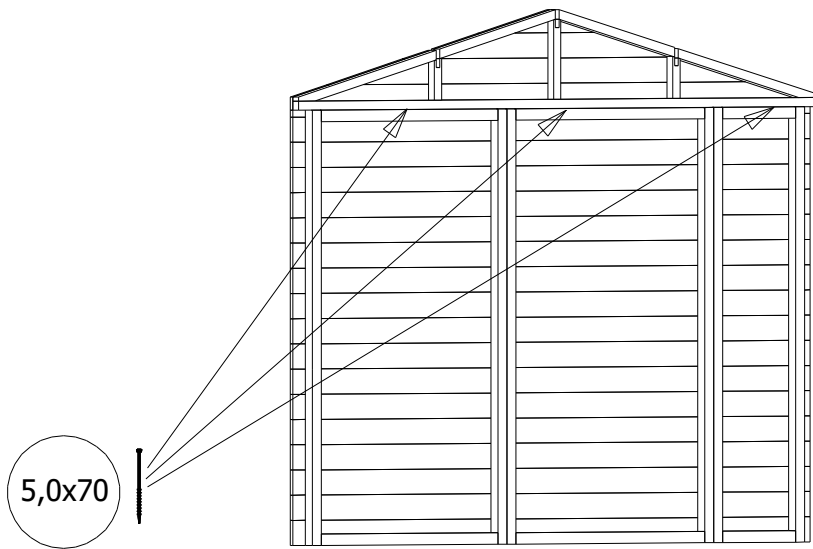
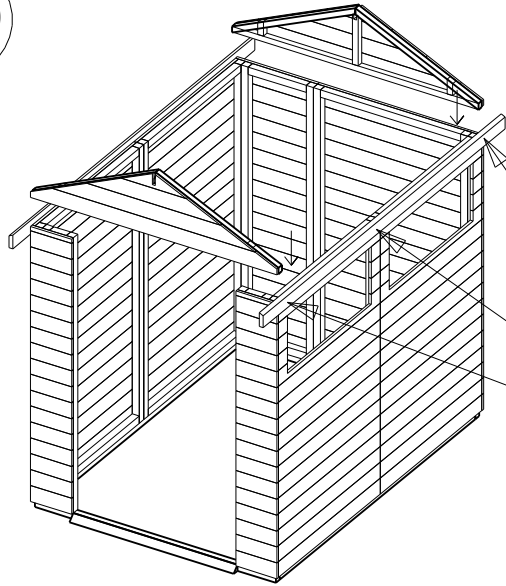
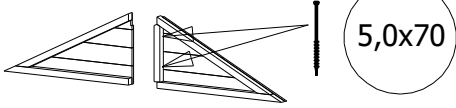
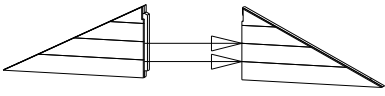
## 2nd step Wall panel assembly



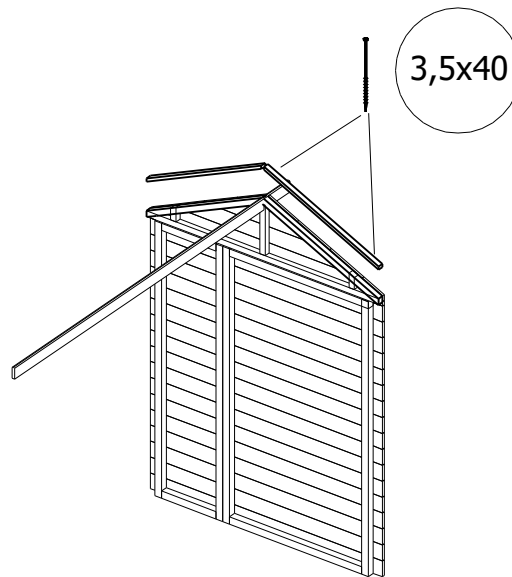
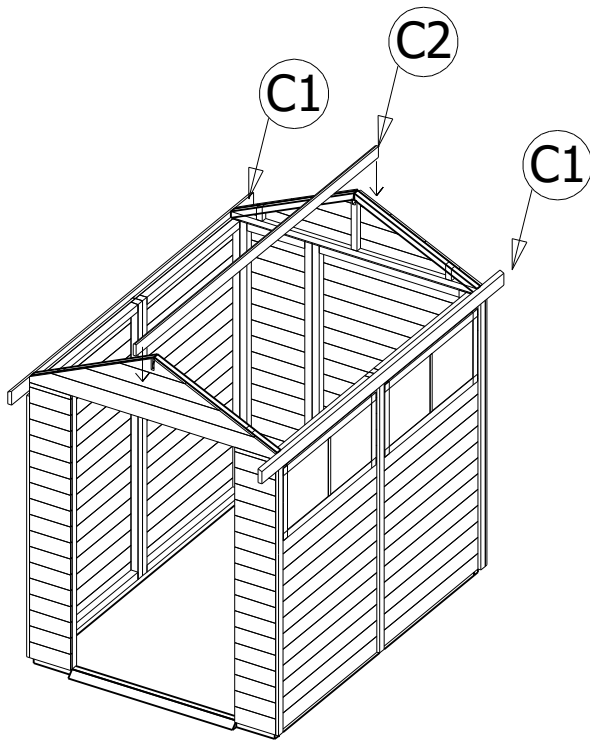
3rd step  
Roof assembly



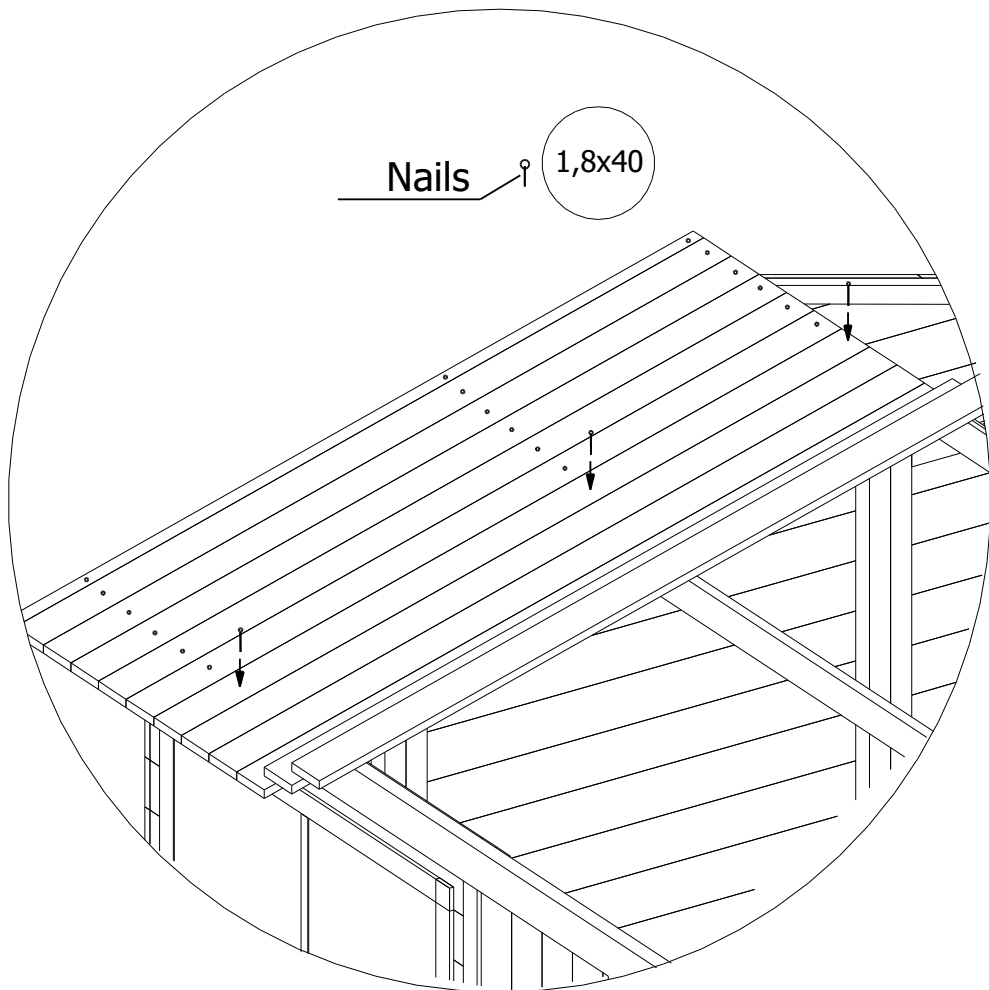
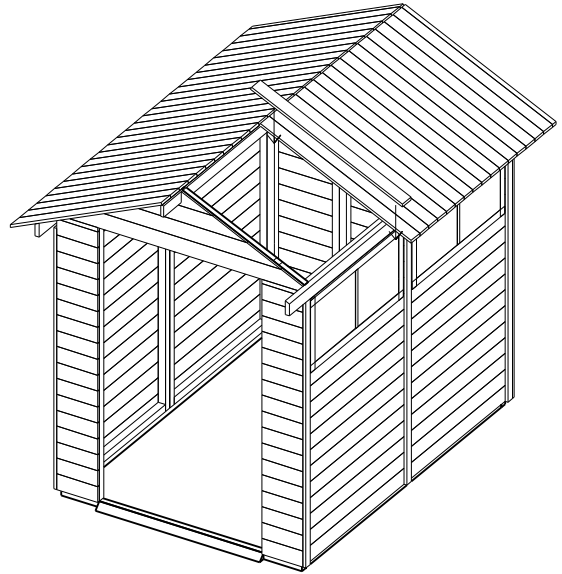
# 3rd step Roof assembly



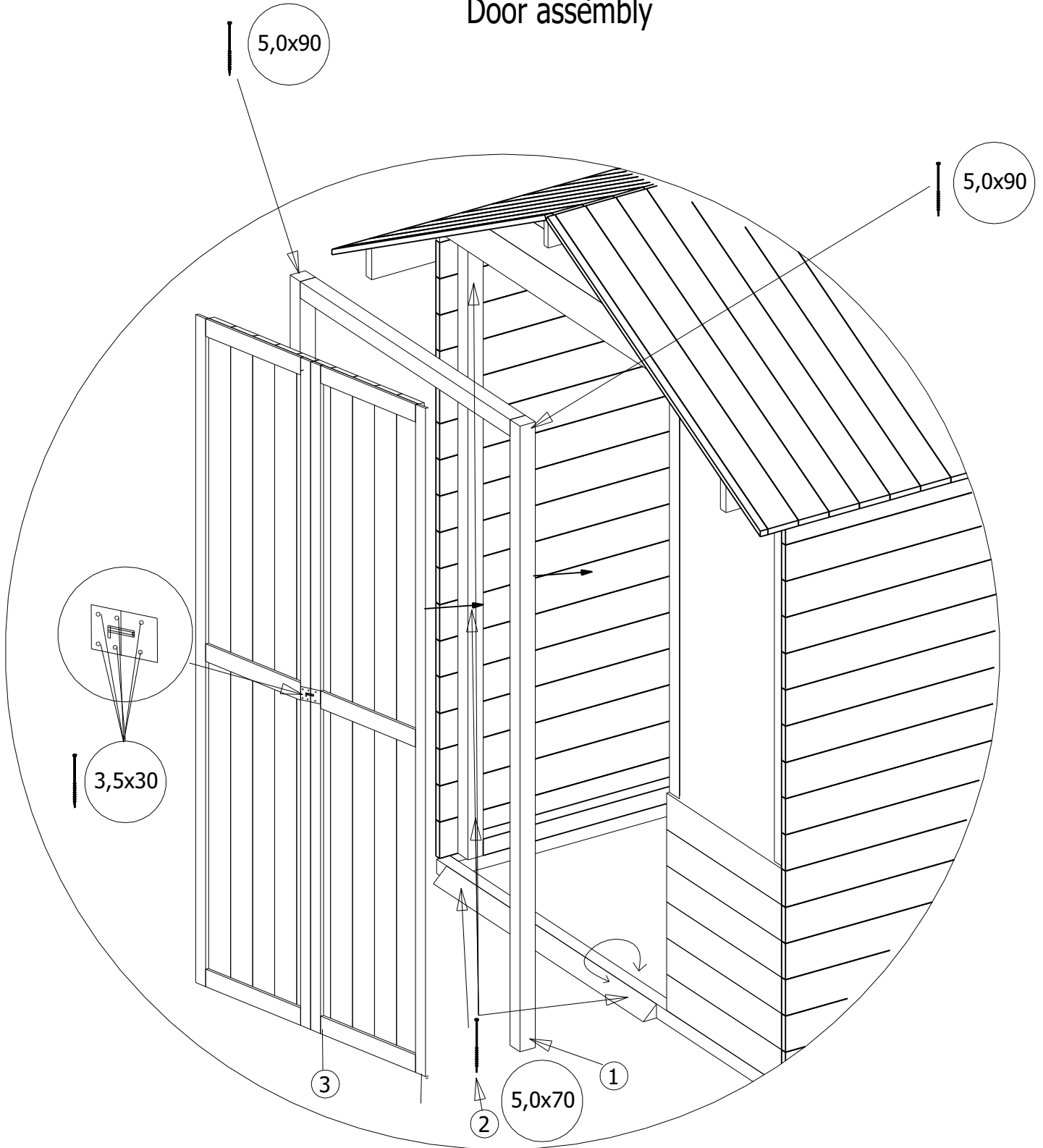
# Roof assembly



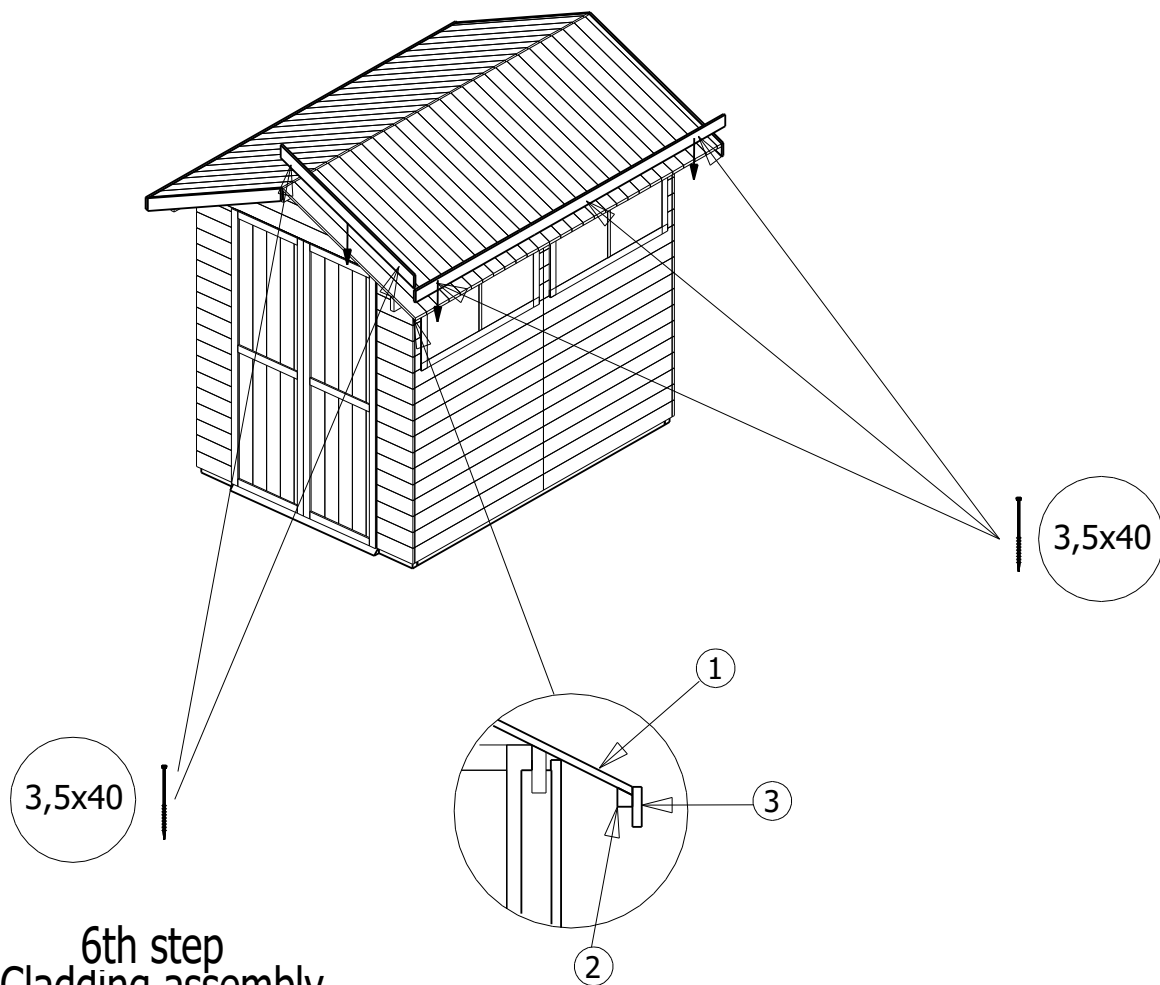
# Roof assembly



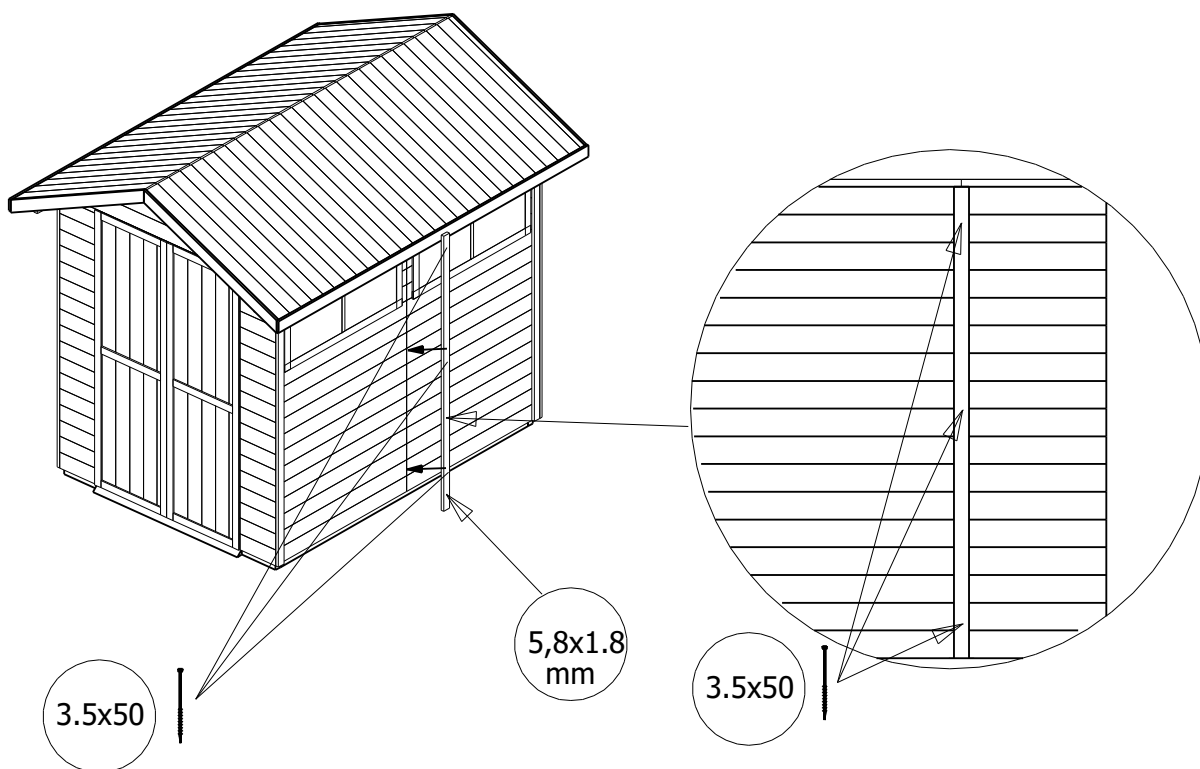
# 4th step Door assembly



## 5th step Wind boards assembly



## 6th step Cladding assembly





In delivery package will be:

5x70- 76 screw units

5x90- 6 screw units

1.8x40- 130 nail units

3.5x40- 46 screw units

1-Door loop

3.5x30- 6 screw units

3.5x50- 45 screw units