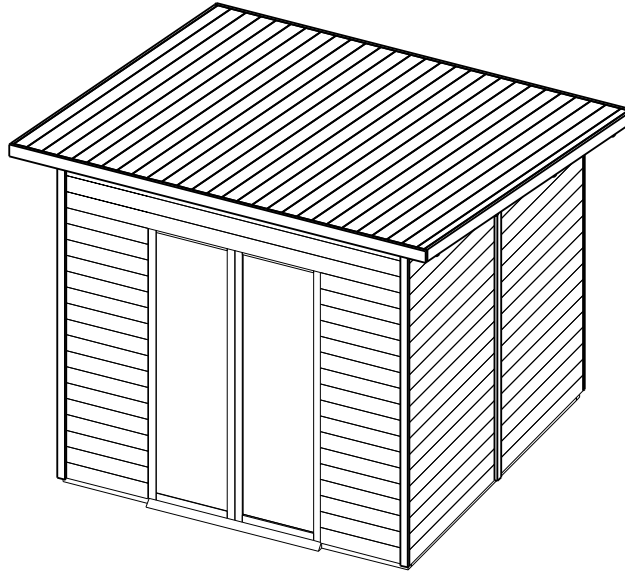
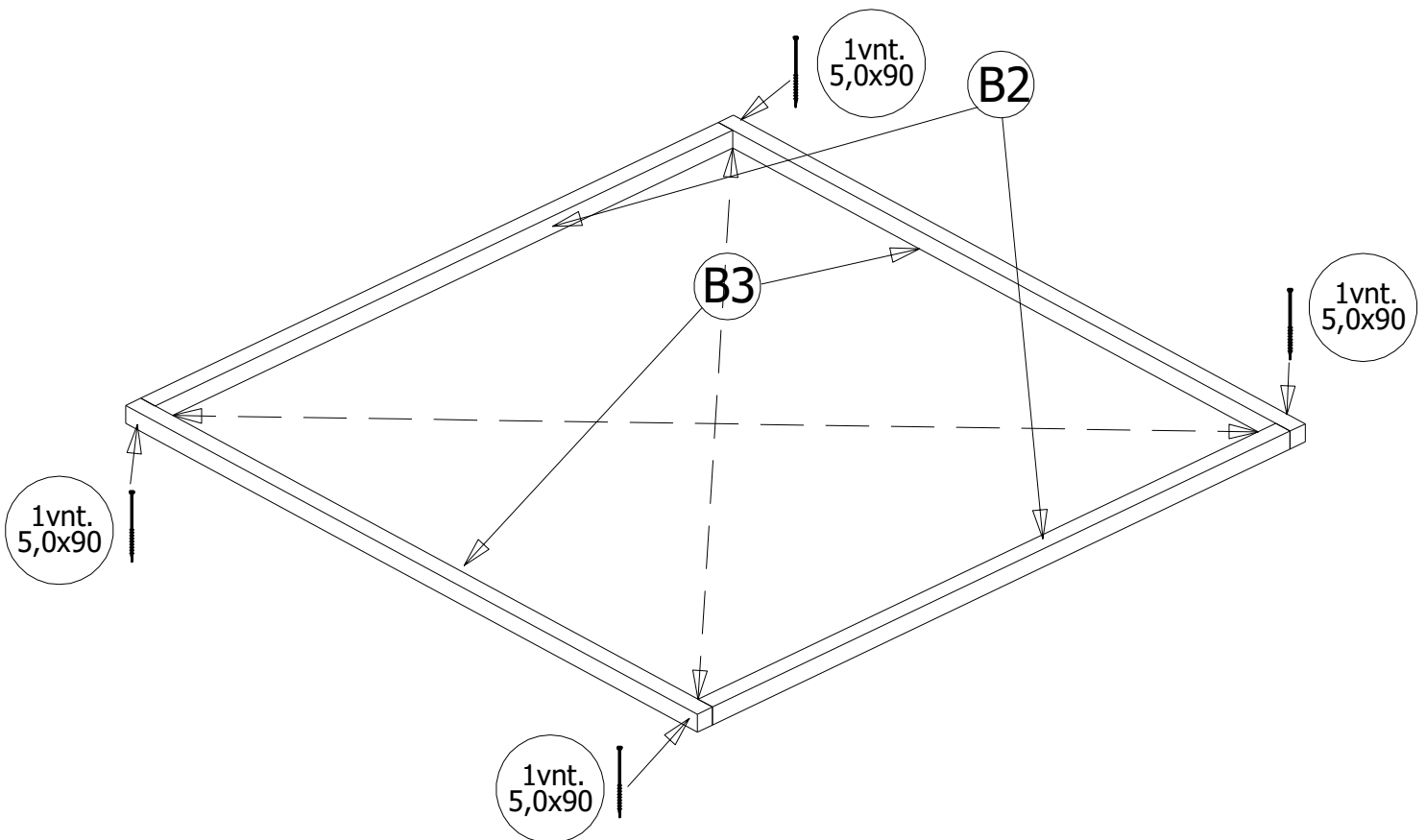


Assembly instructions

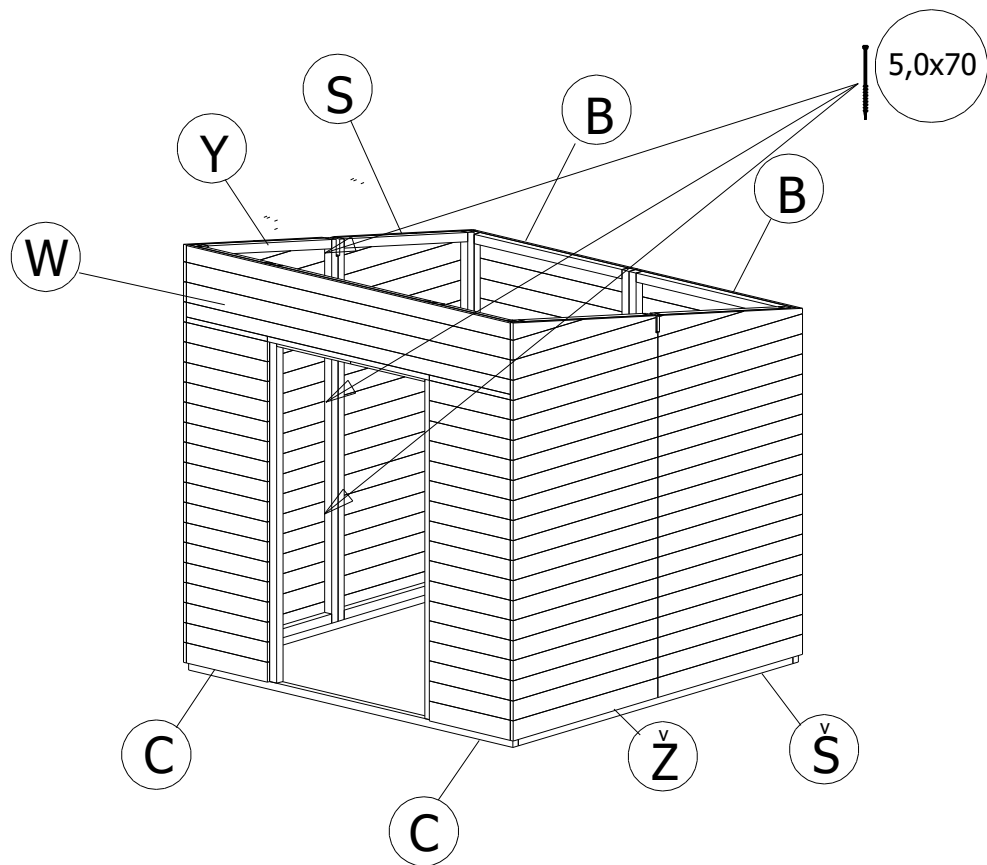
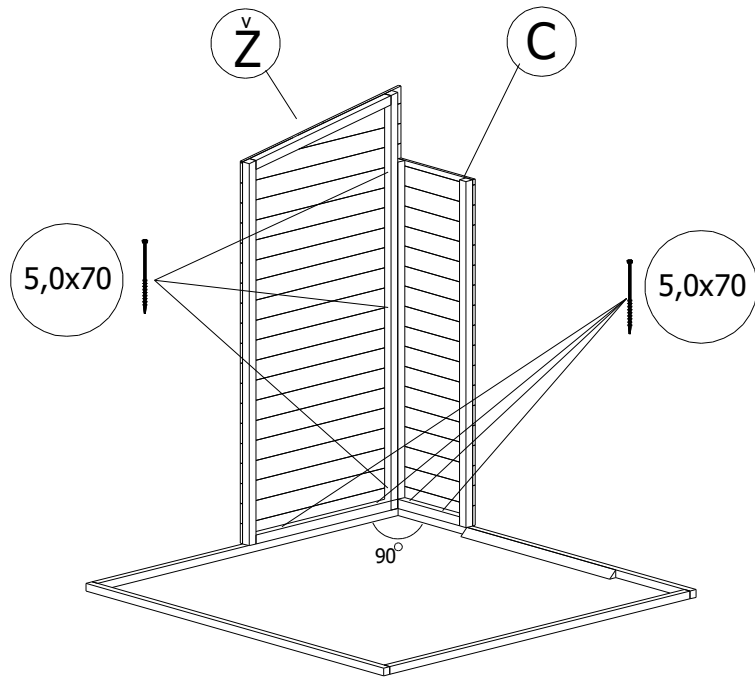
"Delta"



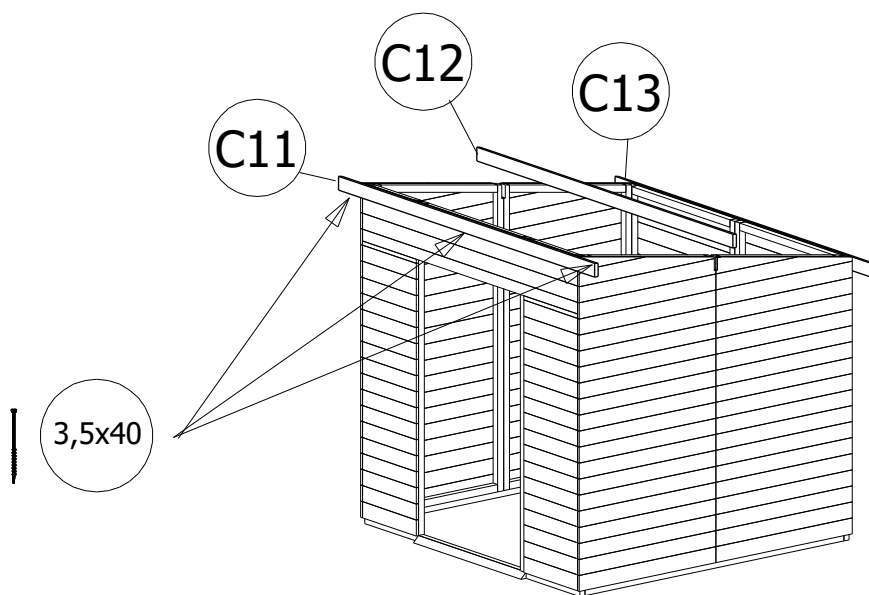
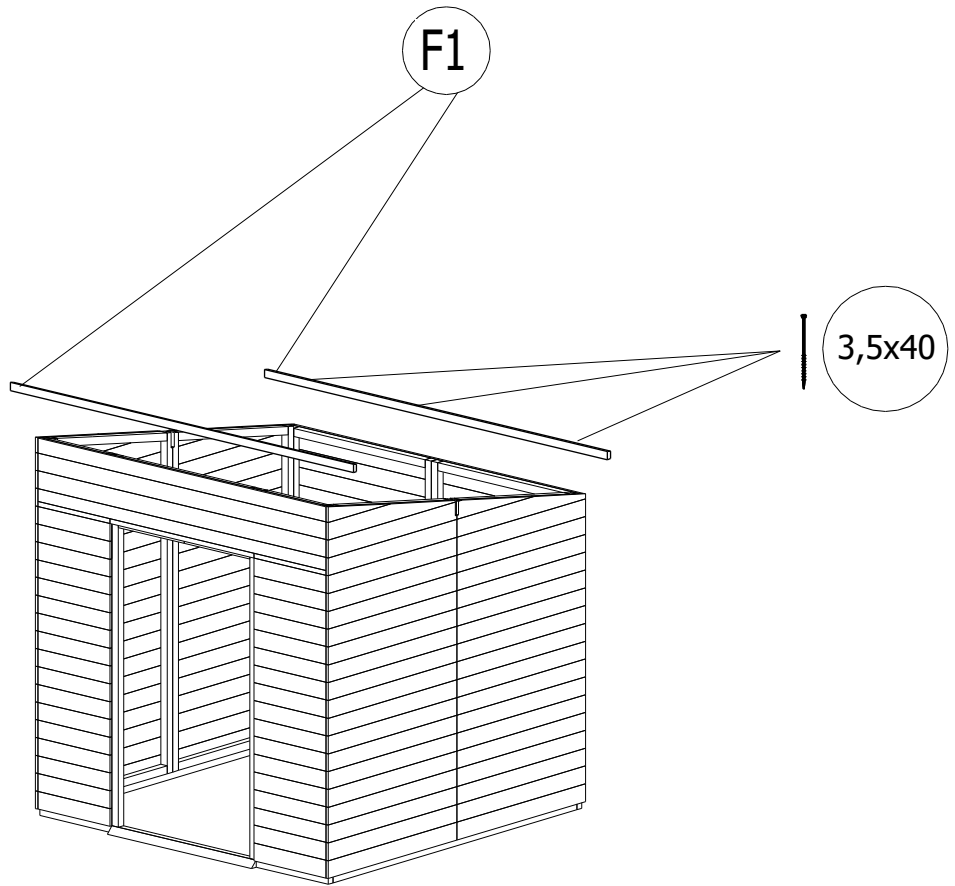
1st step
Base
43x43mm



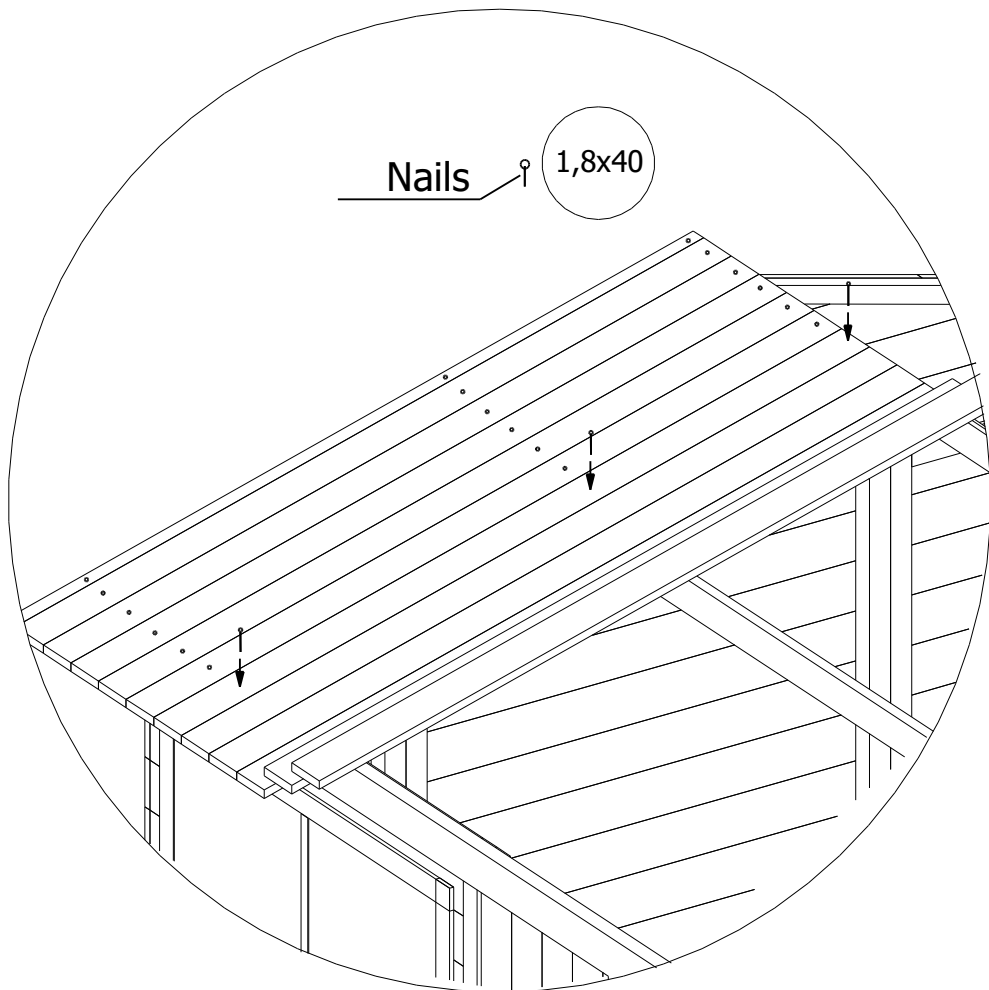
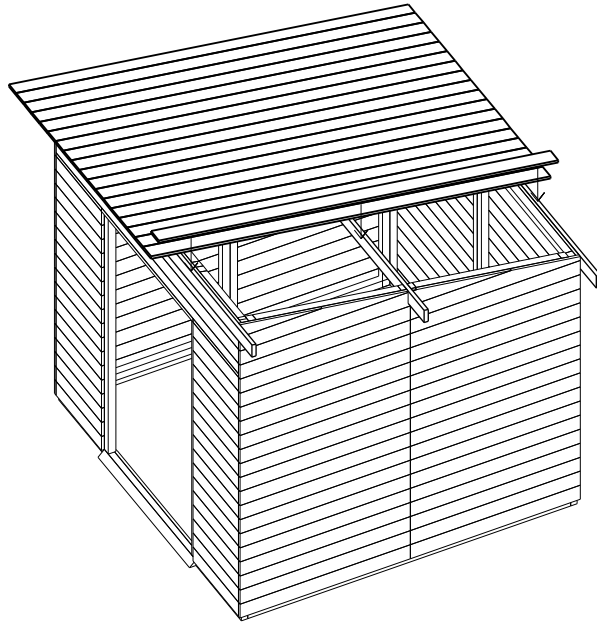
2nd step Wall panel assembly



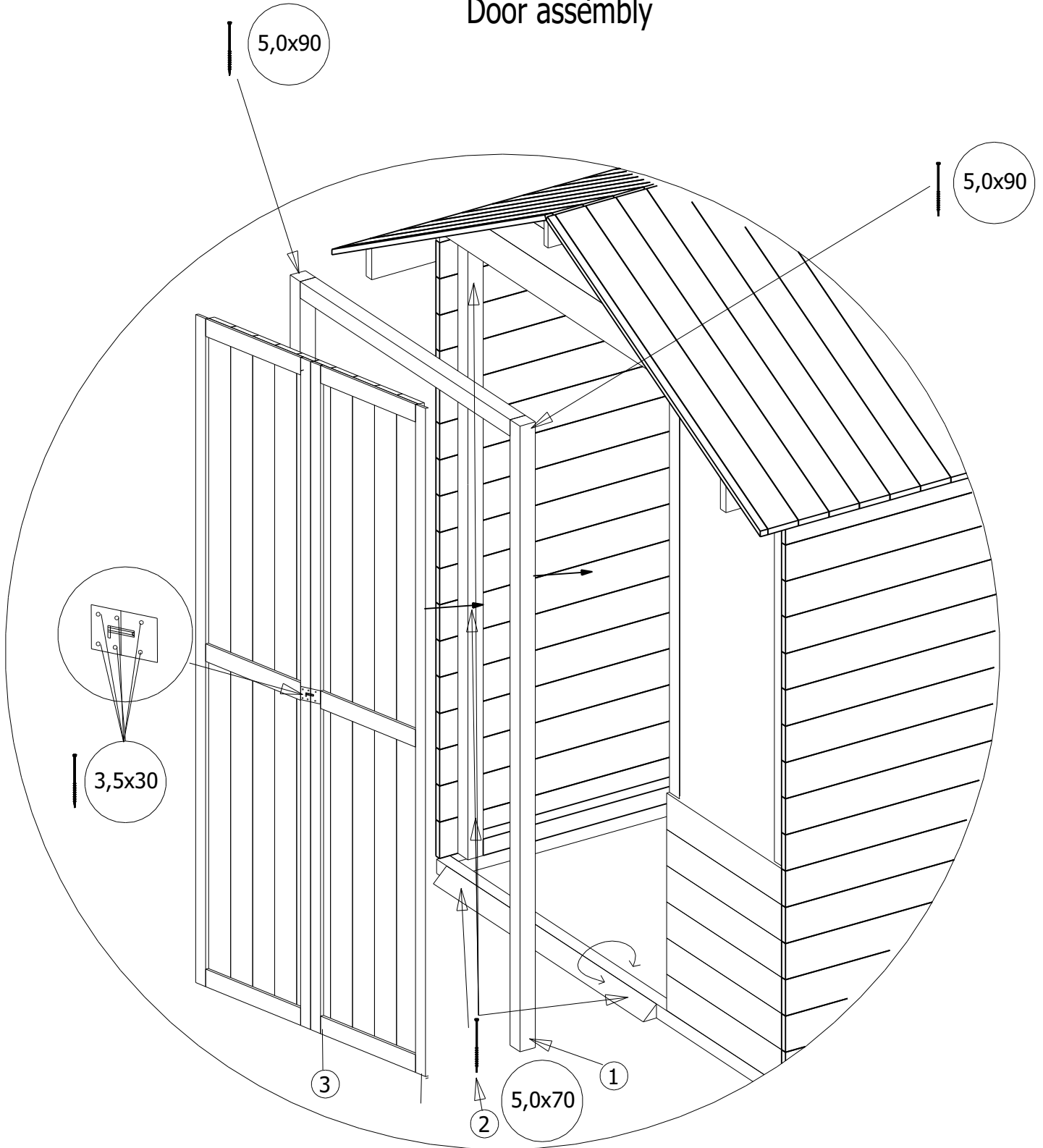
3rd step
Roof assembly



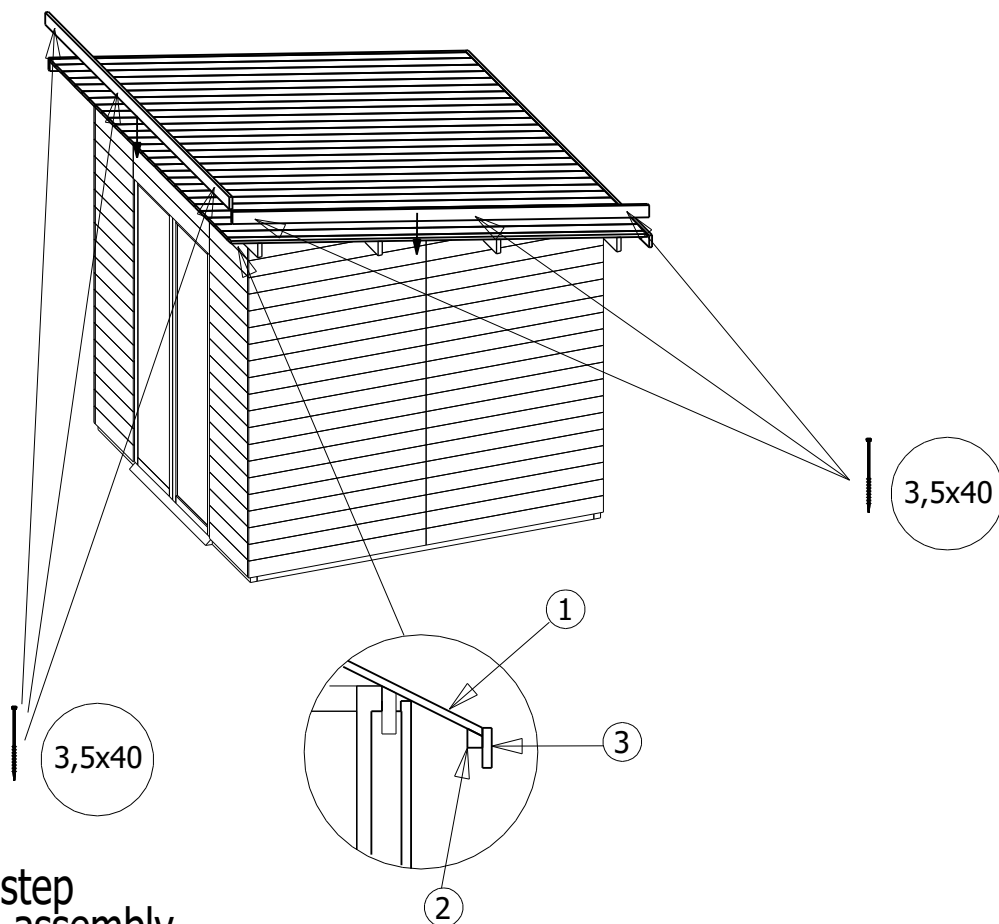
Roof assembly



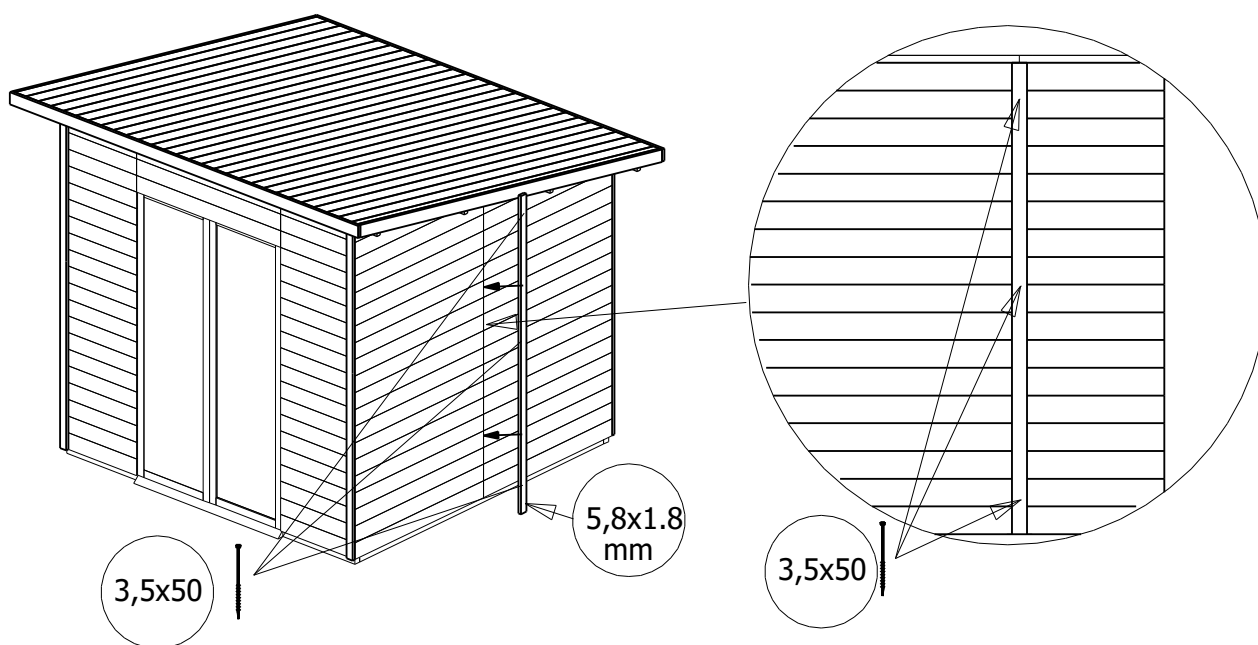
4th step Door assembly



5th step Wind boards assembly



6th step Cladding assembly



In delivery package will be:

5x70- 72 screw units

5x90- 6 screw units

1.8x40- 96 nail units

3.5x40- 40 screw units

1-Door loop

3.5x30- 6 screw units

3.5x50- 45 screw units