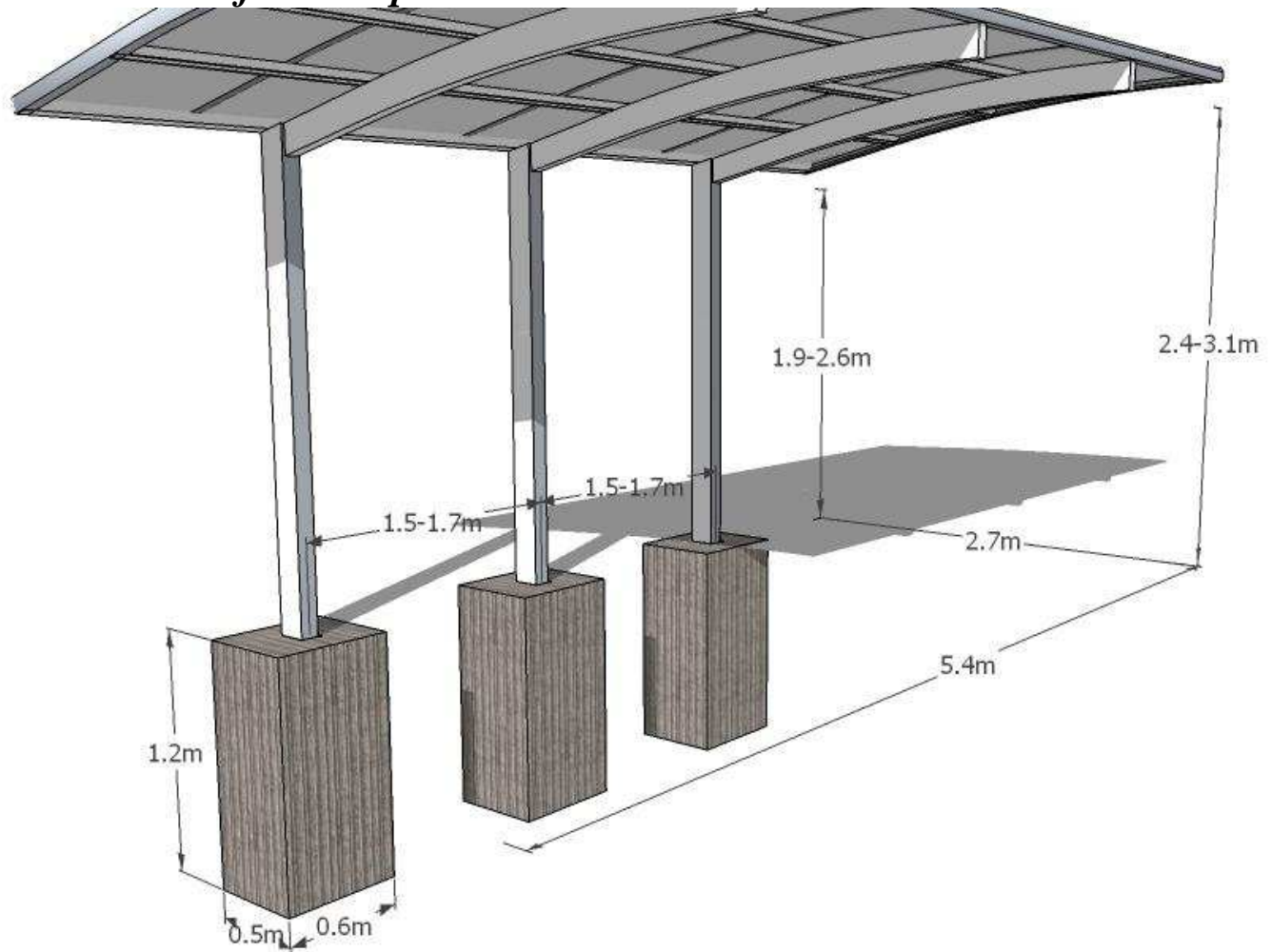
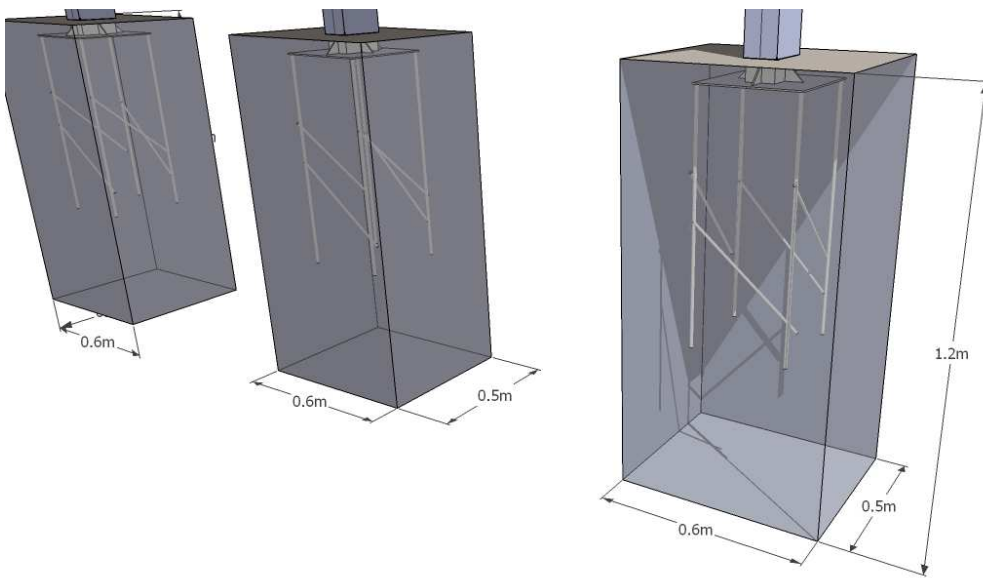


CHALETDEJARDIN.FR

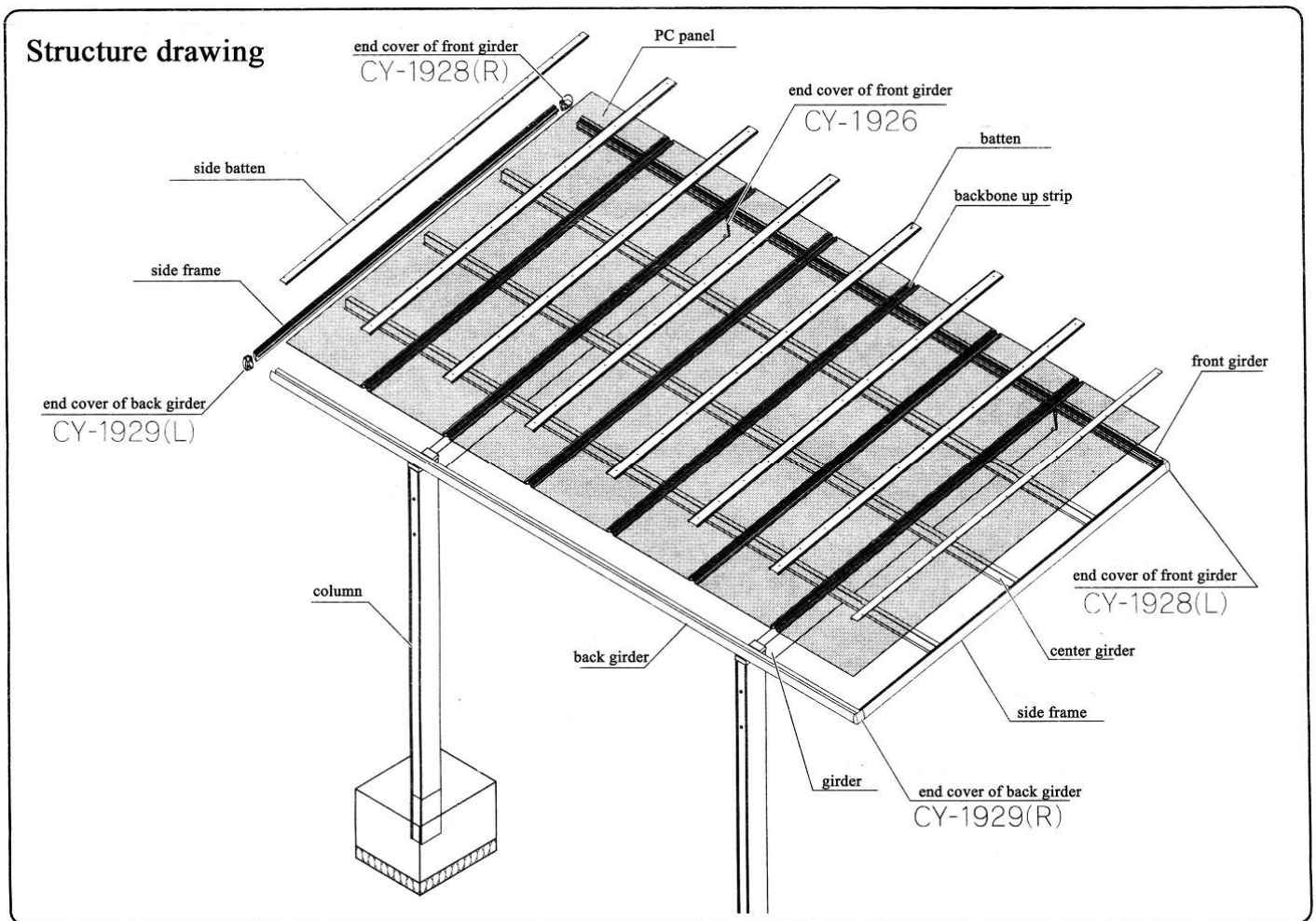
Dimensions of the carport



Foundation of the carport

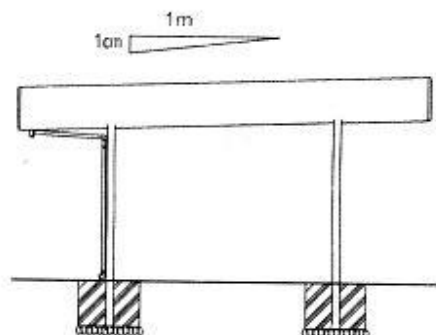


List of components



1. Column/post 2-3 pcs.

2. Main girder 2-3 pcs.
3. Back girder 1 pc.
4. Front girder 1 pc.
5. Center girder 3 pcs.
6. Side frame 2 pcs.
7. Side batten 2 pcs.
8. Batten
9. Backbone up strip
10. End cover of back girder 2 pcs.
11. End cover of front girder 2 pcs.
12. Polycarbonate (PC) panel
13. Steel elbow 2-3 pcs.



Important

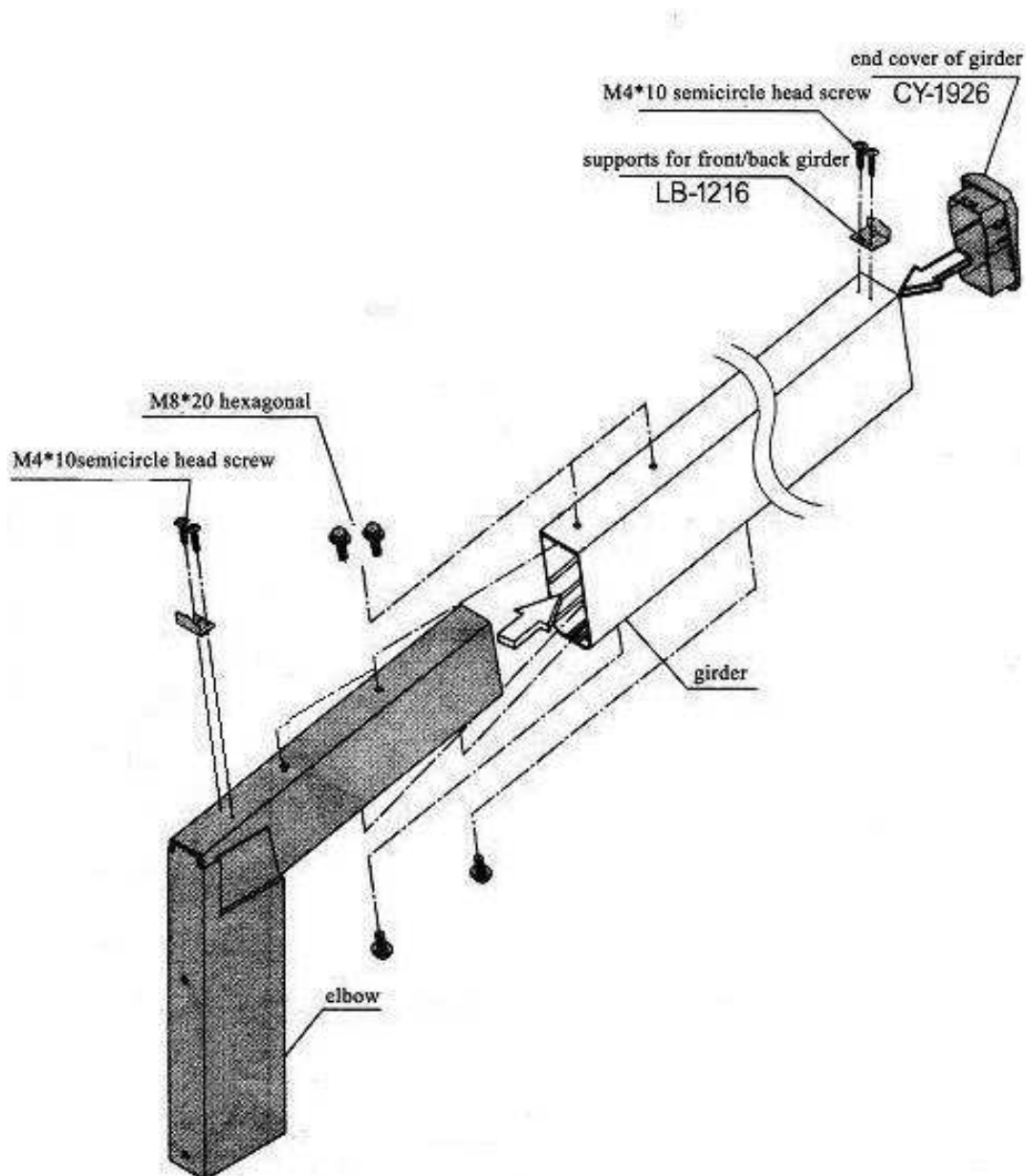
The carport has to be installed with the roof inclination away from the drainpipe, inclining 1 cm per 1 m of carport length (*see picture*).

Assembling the main girders

- 1) Install the end cover of girder in the front of the girder.
- 2) Insert the elbow into the girder and fix it with M8*20 hexagonal bolts and washers.
- 3) Attach the supports for front and back girders with head screws.

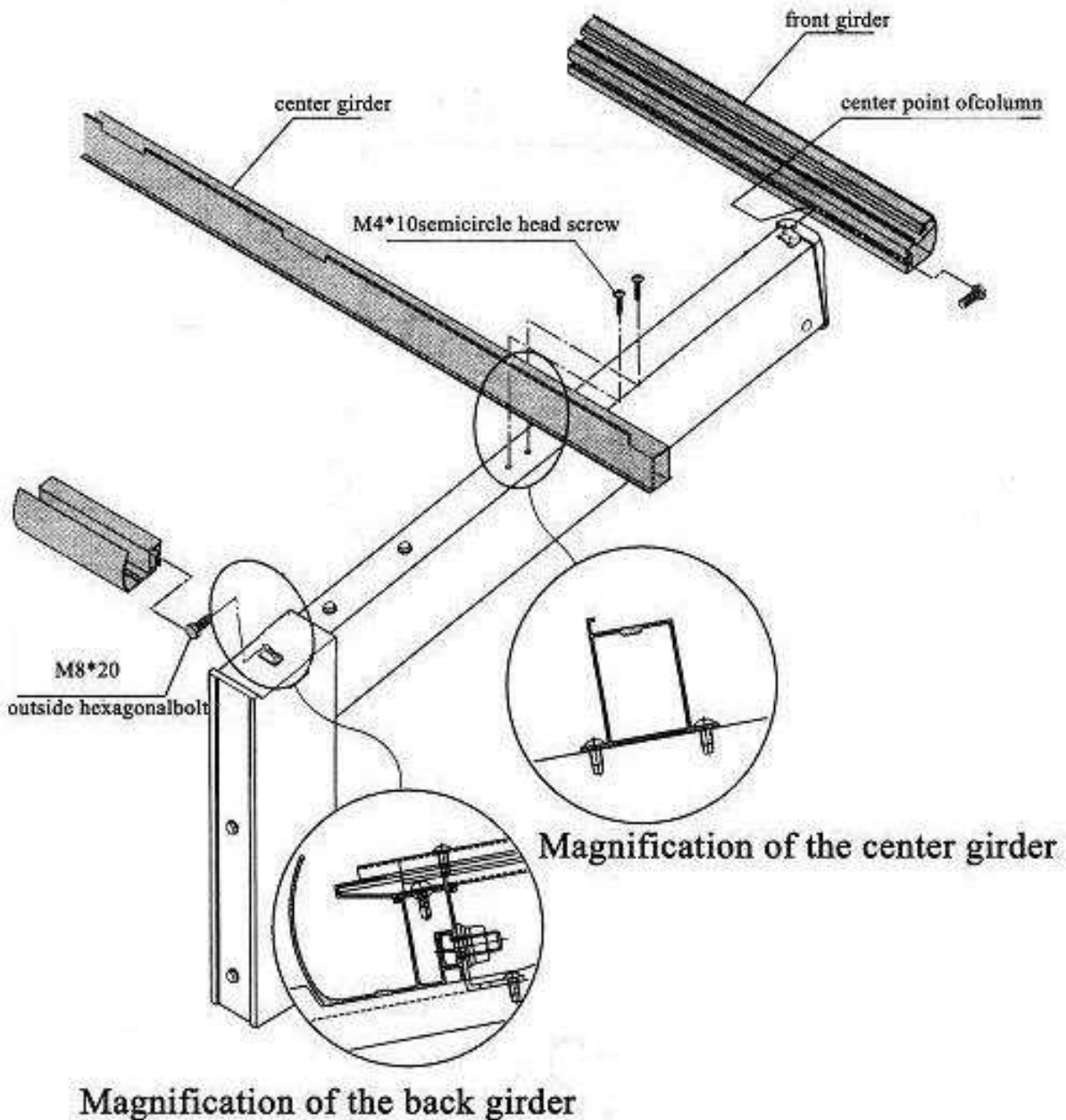
Important

Tighten the M8*20 hexagonal bolts after the carport is fully assembled and installed in the ground.



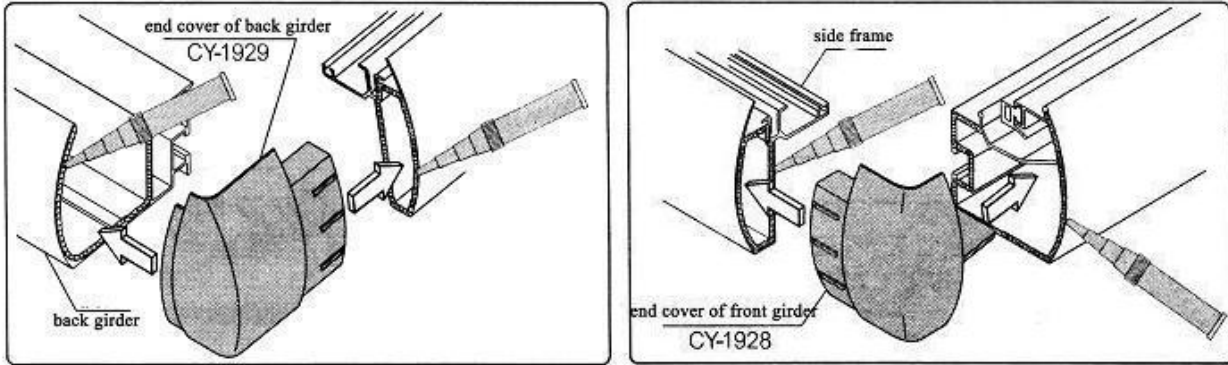
Installing the front, back and center girders

- 1) Fix the front and back girders to the supports using M8*20 hexagonal bolts.
- 2) Fix the three center girders to the main girders with M4*10 semicircle head screws on each side.



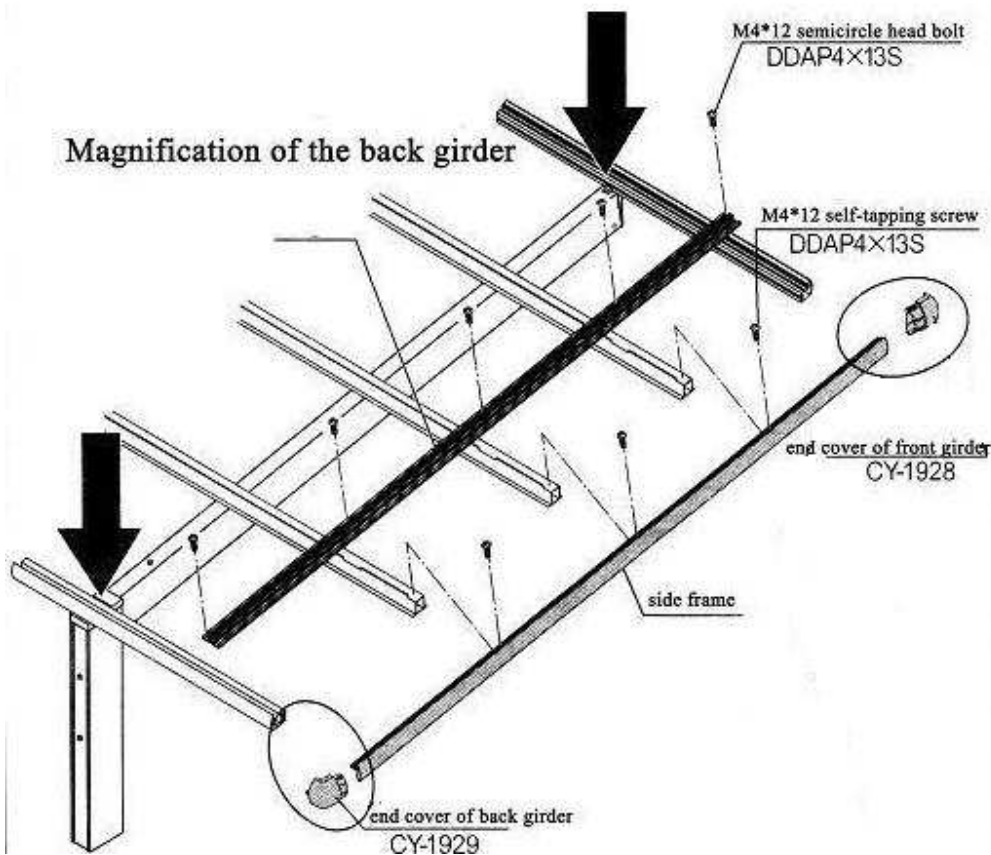
Installing the side frames and backbone up strips

1) Connect the side frames to the front and back girders with end covers of the front and back girders. *Optional: silicone can be applied for extra water-proofing.*



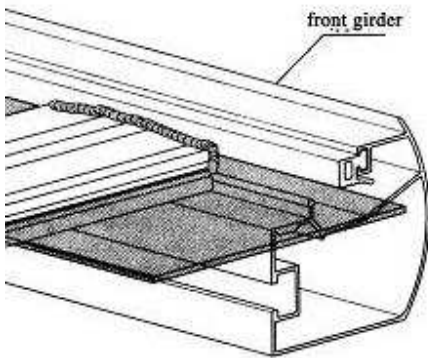
2) Fix the side frames on the center girders with M4*12 self-tapping screws.

3) Put the backbone up strips in the incisions on the center girders and fix them with M4*12 semicircle head bolts, starting from the center and going to the front and back girders.

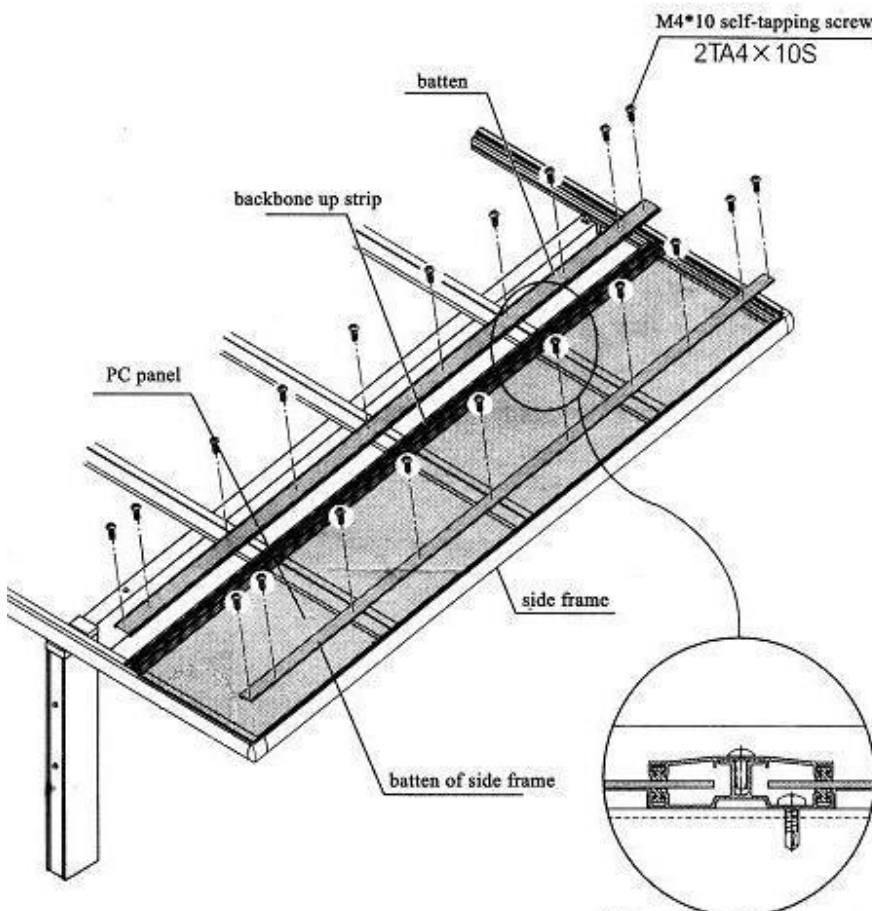


Installing the polycarbonate (PC) panels and the battens

- 1) First insert the PC panel into the front girder so that it presses against the front girder's rubber from the bottom.



- 2) Fix the batten on top the backbone strip (or side frame) and the PC panel using self-tapping screws.



**Magnification of the
backbone up strip and the batten**

Installing the water tube

- 1) Assemble the tube according to the instruction drawing.
- 2) Attach the assembled tube to the bottom of the back girder (**use the black rubber seal when attaching to girder!**) and the post on the chosen side for the water tube.
- 3) Drill a 60mm wide hole going from the water channel of the back girder to the tube.

